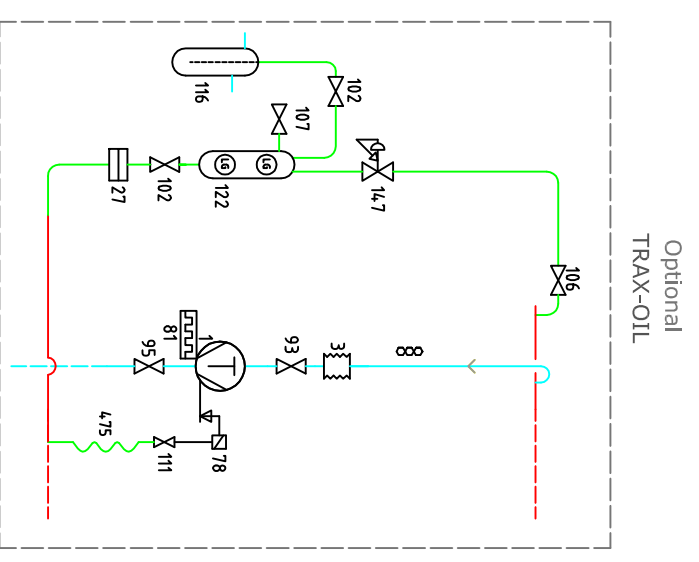
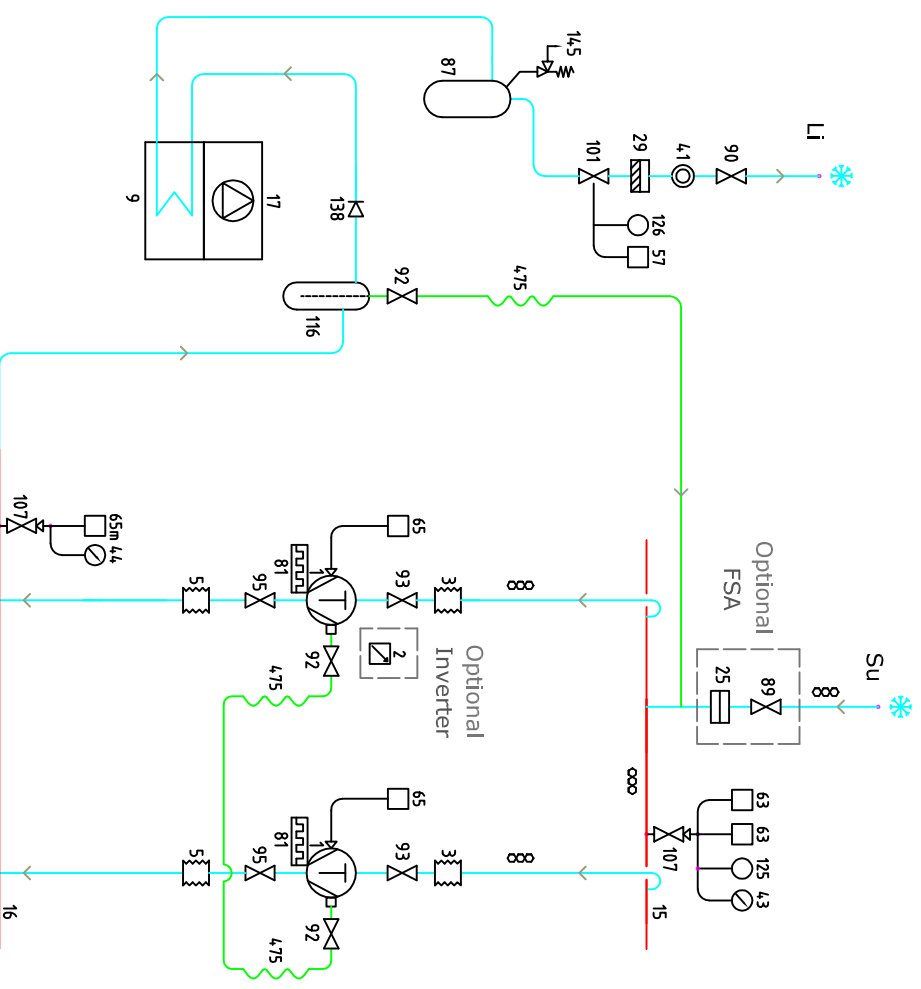


— Freon
— Oil
— Manifold



DESIGN PRESSURE AND TEMPERATURE – R404A	PS HP: 28 Bar	PS LP: 17 Bar	TS MAX: 100 °C	TS MIN: -40 °C
DESIGN PRESSURE AND TEMPERATURE – R134A	PS HP: 23 Bar	PS LP: 17 Bar	TS MAX: 100 °C	TS MIN: -40 °C

❄️ DALL'ALL' EVAPORATORE – DE/A L' EVAPORATEUR – FROM/TO EVAPORATOR – VOM/ZUM VERDAMPFER
 ∞∞∞ ISOLAMENTO TERMICO – THERMAL INSULATION – ISOLATION THERMIQUE – WÄRMEDÄMMUNG

SCHEMA FRIGORIFERO – IDRAULICO / REFRIGERATING – HYDRAULIC DIAGRAM		Denominazione – Designation / Benzeichnung	
SCHEMA FRIGORIFERO – IDRAULICO / REFRIGERATING – HYDRAULIC DIAGRAM		SCHEMA FRIGORIFERO – IDRAULICO / REFRIGERATING – HYDRAULIC DIAGRAM	
Foglio – Sheet 1 / 1	Data – Date -	Gr. unità – Unit size -	Rev. – Description – Beschreibung
Disegnatore – Designer Alessandro M.	Verificatore – Checked by -	Disegno – Draw – Dessin – Zeichnung FRBRQ Bx2	Descrittore – Replaced by – Replaced by – Ersetzt durch -
Disegnatore – Designer Alessandro M.	Verificatore – Checked by -	Disegno – Draw – Dessin – Zeichnung FRBRQ Bx2	Descrittore – Replaced by – Replaced by – Ersetzt durch -