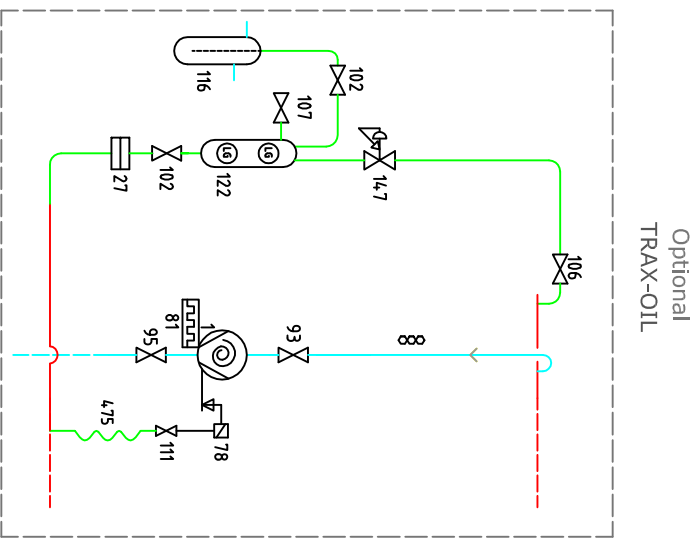
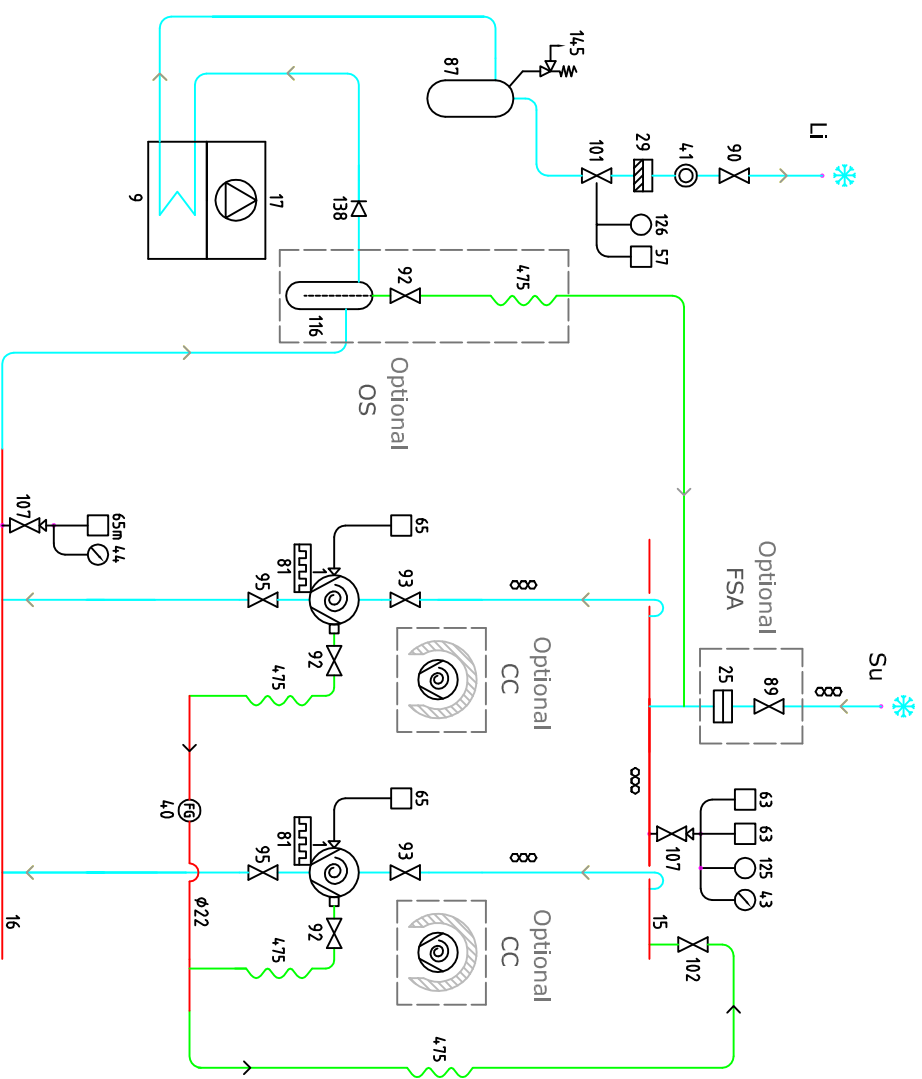


— Freon  
— Oil  
— Manifold



DESIGN PRESSURE AND TEMPERATURE – R404A	PS HP: 28 Bar	PS LP: 17 Bar	TS MAX: 100 °C	TS MIN: -40 °C
DESIGN PRESSURE AND TEMPERATURE – R134A	PS HP: 23 Bar	PS LP: 17 Bar	TS MAX: 100 °C	TS MIN: -40 °C

❄️ DALL'ALL' EVAPORATORE – DE/A L' EVAPORATEUR – FROM/TO EVAPORATOR – VOM/ZUM VERDAMPFER  
 ☁️ ISOLAMENTO TERMICO – THERMAL INSULATION – ISOLATION THERMIQUE – WÄRMEDÄMMUNG

SCHEMA FRIGORIFERO – IDRAULICO / REFRIGERATING – HYDRAULIC DIAGRAM		Denominazione – Bezeichnung	
SCHEMA FRIGORIFERO – IDRAULICO / REFRIGERATING – HYDRAULIC DIAGRAM		KÄLTEKREISLAUF – HYDRAULIKSCHEMA	
Foglio – Sheet 1 / 1	Data – Date -	Modello – Model -	Gr. unità – Unit size -
Disegnatore – Designer Alessandro M.	Verificatore – Checked by -	Disegno – Draw – Dessin – Zeichnung FRBRQ Cx2	Revisione – Replaced by – Ersetzt durch -
Disegnatore – Designer Alessandro M.	Verificatore – Checked by -	Disegno – Draw – Dessin – Zeichnung FRBRQ Cx2	Revisione – Replaced by – Ersetzt durch -