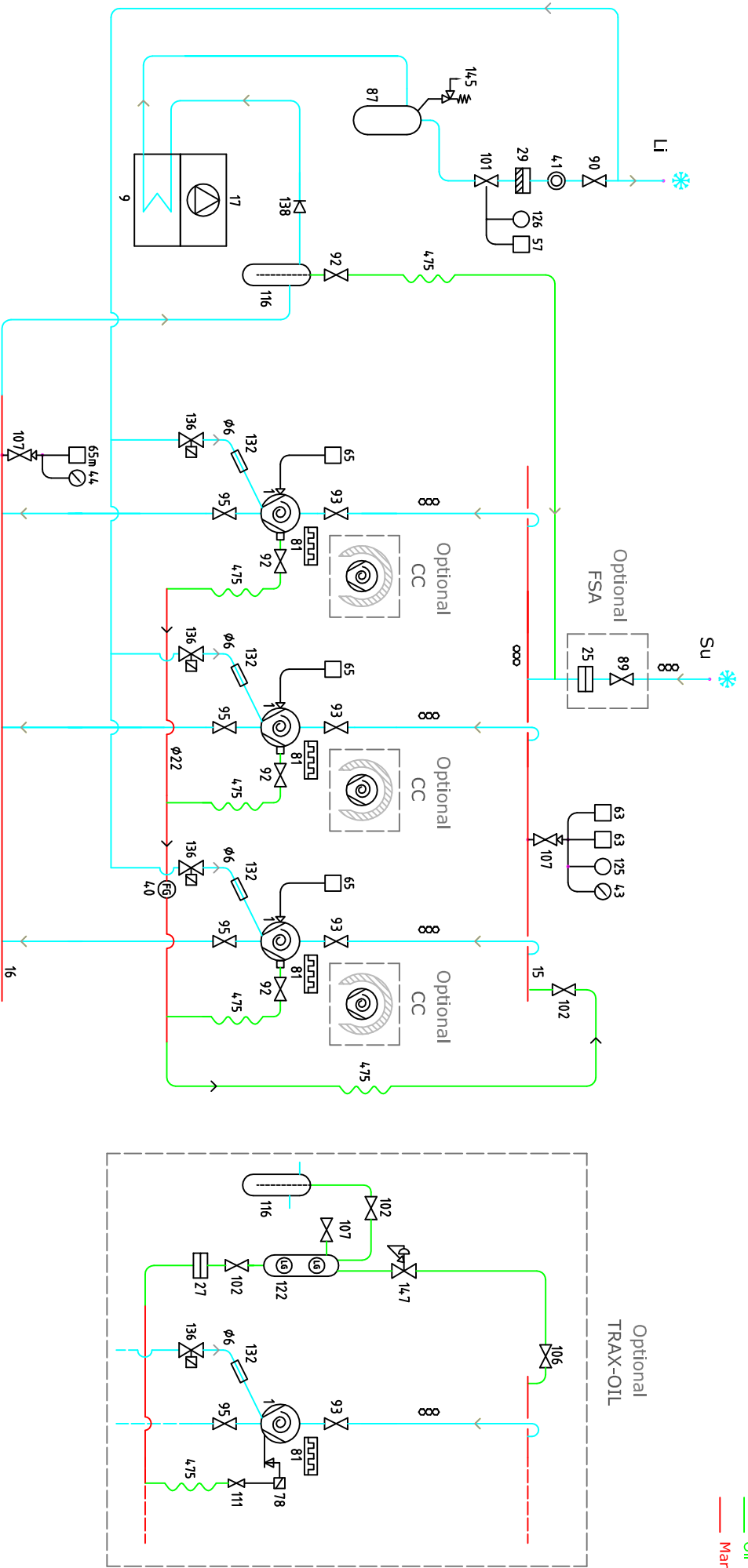


— Freon  
— Oil  
— Manifold



DESIGN PRESSURE AND TEMPERATURE - R404A	PS HP: 28 Bar	PS LP: 17 Bar	TS MAX: 100 °C	TS MIN: -40 °C
DESIGN PRESSURE AND TEMPERATURE - R134A	PS HP: 23 Bar	PS LP: 17 Bar	TS MAX: 100 °C	TS MIN: -40 °C

❄️ DALL'ALL' EVAPORATORE - DE/A L' EVAPORATEUR - FROM/TO EVAPORATOR - VOM/ZUM VERDAMPFER  
 ❄️ ISOLAMENTO TERMICO - THERMAL INSULATION - ISOLATION THERMIQUE - WÄRMEDÄMMUNG

SCHEMA FRIGORIFERO-IDRAULICO / REFRIGERATING-HYDRAULIC DIAGRAM		Denominazione - Designation		SCHEMA FRIGORIFERO-HYDRAULIQUE / KÄLTGERÄTESLAUF-HYDRAULIKSCHEMA	
Foglio - Sheet 1 / 1	Data - Date -	Modello-Model -	Gr. unità-Unit size -	Rev. - Description -	Dis. - Desig. -
Disegnatore-Designer Alessandro M.	Verificato-Checked by -	Disegno-Draw FRBRQ Cx3 BT	Refrig.-Refrig.-Refrig.-Kältemittel -	Software-Replaces -	Dis. - Desig. -
Verificato-Checked by -	Verificato-Checked by -	Disegno-Draw FRBRQ Cx3 BT	Refrig.-Refrig.-Refrig.-Kältemittel -	Software-Replaces -	Dis. - Desig. -