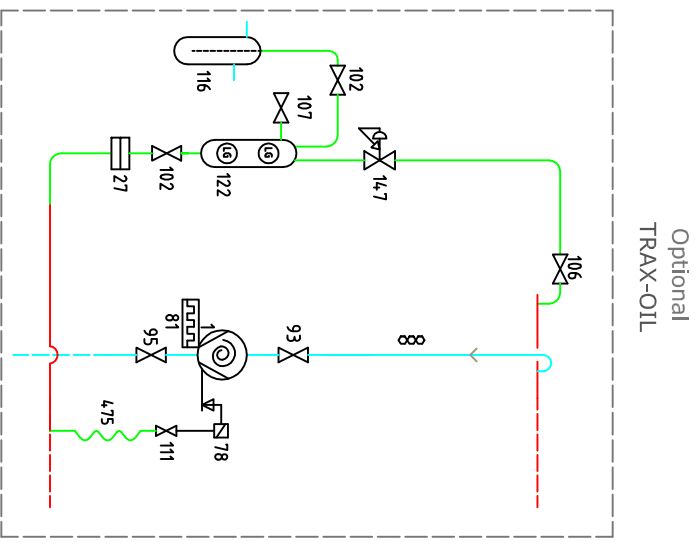
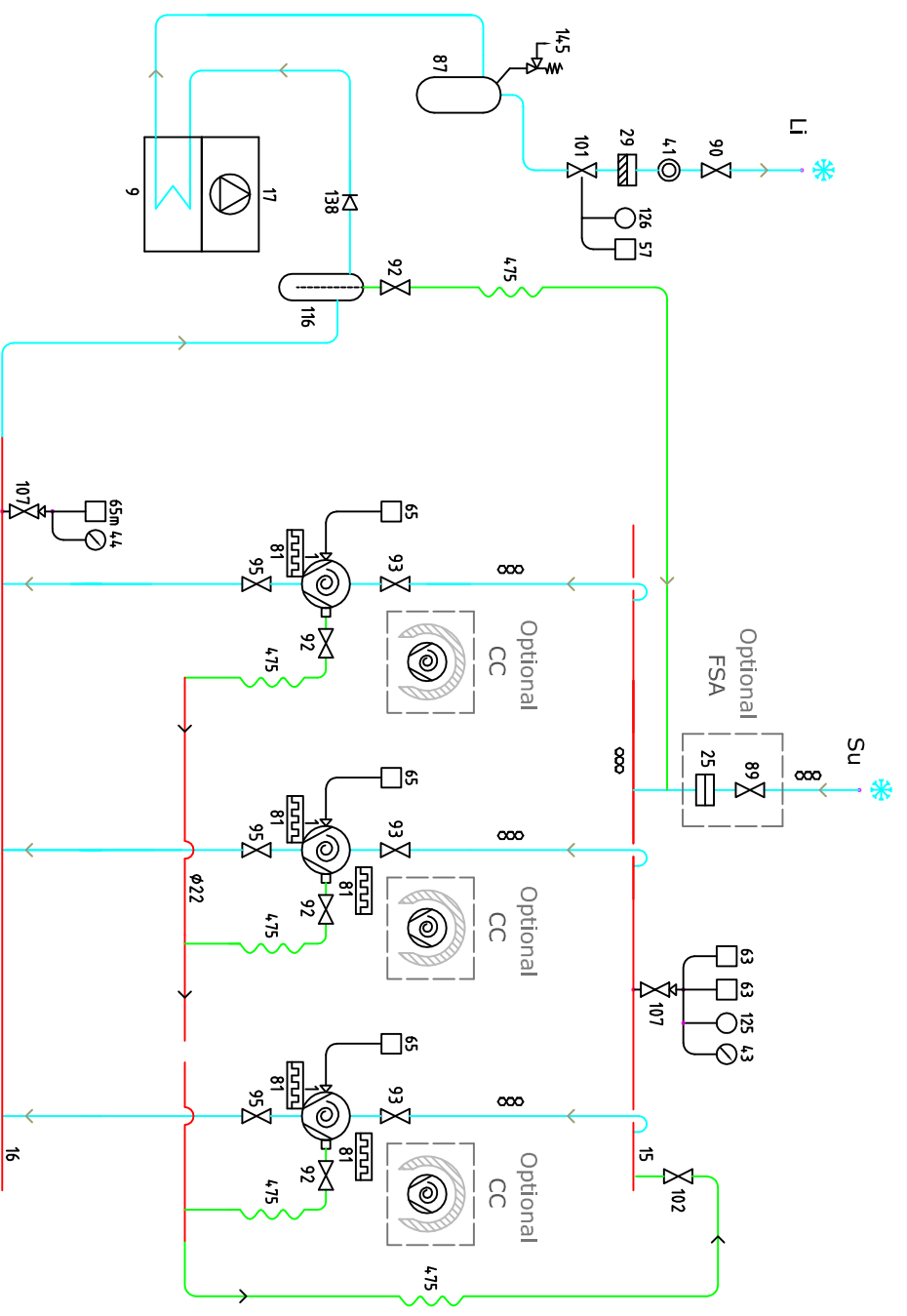


— Freon  
— Oil  
— Manifold



DESIGN PRESSURE AND TEMPERATURE - R404A	PS HP: 28 Bar	PS LP: 17 Bar	TS MAX: 100 °C	TS MIN: -40 °C
DESIGN PRESSURE AND TEMPERATURE - R134A	PS HP: 23 Bar	PS LP: 17 Bar	TS MAX: 100 °C	TS MIN: -40 °C

❄️ DALL'ALL' EVAPORATORE - DE/A L' EVAPORATEUR - FROM/TO EVAPORATOR - VOM/ZUM VERDAMPFER  
 ❄️ ISOLAMENTO TERMICO - THERMAL INSULATION - ISOLATION THERMIQUE - WÄRMEDÄMMUNG

SCHEMA FRIGORIFERO-IDRAULICO / REFRIGERATING-HYDRAULIC DIAGRAM		Denominazione - Bezeichnung	
SCHEMA FRIGORIFERO-IDRAULICO / REFRIGERATING-HYDRAULIC DIAGRAM		SCHEMA FRIGORIFERO-IDRAULICO / KÄLTEKREISLAUF-HYDRAULIKSCHEMA	
Foglio - Sheet	Data - Date	Modello-Model	Gr. unità-Unit size
1 / 1	-	-	-
Disegnatore-Designer	Verificatore-Checked by	Disegno-Draw	Revisore-Revised by
Alessandro M.	-	FRBRQ Cx3	-
Disegnatore-Designer	Verificatore-Checked by	Disegno-Draw	Revisore-Revised by
Alessandro M.	-	FRBRQ Cx3	-