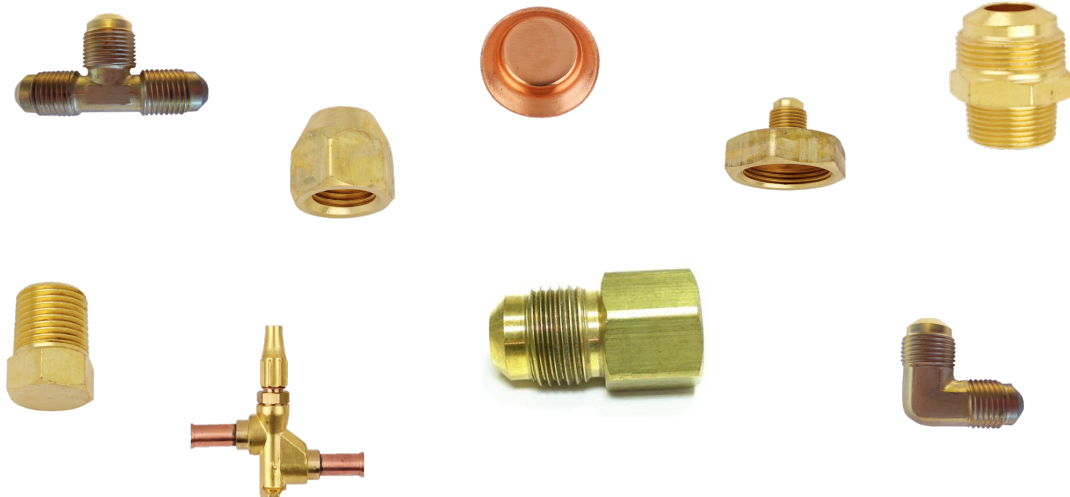




REFRIGERATION FITTINGS

New Catalogue September 2016



Available from:



BULLFINCH (GAS EQUIPMENT) LIMITED

DIADEM WORKS,

KINGS ROAD,

TYSELEY, BIRMINGHAM B11 2AJ

TEL: +44(0) 121 765 2000

FAX: +44(0) 121 707 0995

E-MAIL: SALES@BULLFINCH-GAS.CO.UK

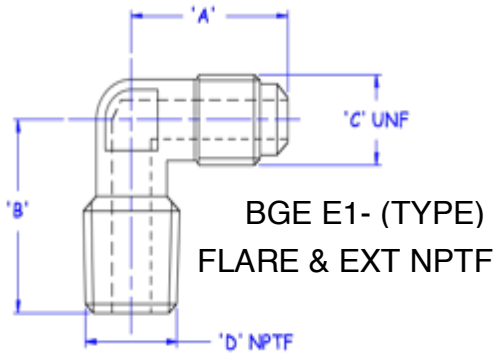
WWW.BAILEYGILL.CO.UK

WWW.BULLFINCH-GAS.CO.UK

<p>ELBOWS PAGE 3</p> 	<p>TEE PIECE PAGE 4-5</p> 	<p>UNIONS PAGE 5-6</p> 
<p>PLUGS PAGE 7-8</p> 	<p>REDUCERS PAGE 9</p> 	<p>NUTS PAGE 10-11</p> 
<p>DRUM ADAPTOR PAGE 11</p> 	<p>BONNETS & WASHERS PAGE 11</p> 	<p>VALVES PAGE 12 - 13</p> 

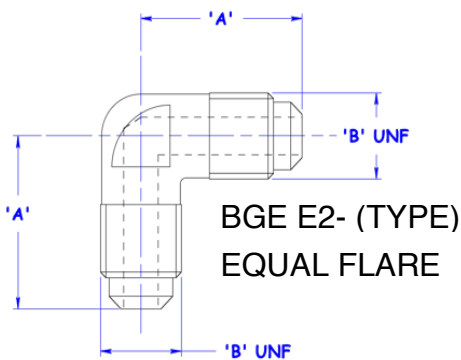
Note: 1;1/16 x 14 Thread Defined as UNS

Part No	'A'	'B'	'C' UNF	'D'	Tube	Pkg Qty
E1-4A	22.2	22.2	7/16" x 20	1/8" x 27	1/4"	50
E1-4B	22.2	23.8	7/16" x 20	1/4" x 18	1/4"	50
E1-5B	23.8	26.2	1/2" x 20	1/4" x 18	5/16"	50
E1-6A	26.2	20.6	5/8" x 18	1/8" x 27	3/8"	25
E1-6B	27	28.6	5/8" x 18	1/4" x 18	3/8"	25
E1-6C	28.6	28.6	5/8" x 18	3/8" x 18	3/8"	25
E1-6D	30.2	33.3	5/8" x 18	1/2" x 14	3/8"	25
E1-8B	31.8	30.2	3/4" x 16	1/4" x 18	1/2"	25
E1-8C	31.8	30.2	3/4" x 16	3/8" x 18	1/2"	25
E1-8D	33.3	33.3	3/4" x 16	1/2" x 14	1/2"	25
E1-10D	36.5	36.5	7/8" x 14	1/2" x 14	5/8"	10
E1-12D	42.9	39.7	1;1/16" x 14	1/2" x 14	3/4"	10

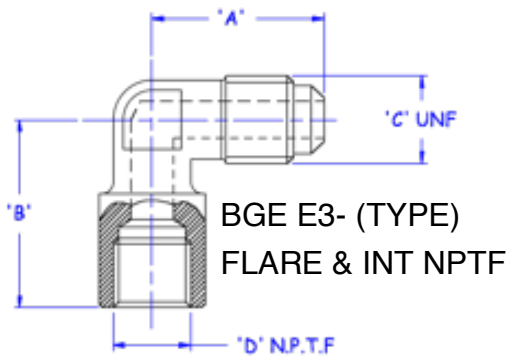


Note: 1;1/16 x 14 Thread Defined as UNS

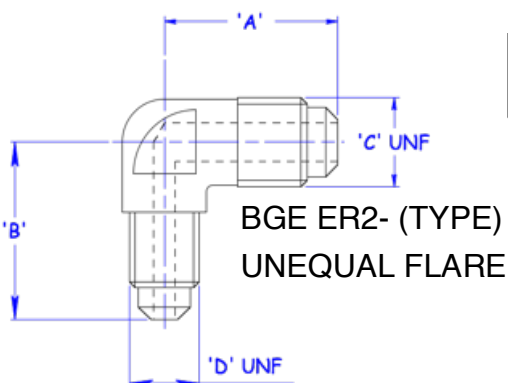
Part No	'A'	'B' UNF	Tube Size	Pkg Qty
E2-4	22.2	7/16" x 20	1/4"	50
E2-5	23.8	1/2" x 20	5/16"	50
E2-6	27	5/8" x 18	3/8"	25
E2-8	31.8	3/4" x 16	1/2"	25
E2-10	36.5	7/8" x 14	5/8"	25
E2-12	42.9	1;1/16" x 14	3/4"	10



Part No	'A'	'B'	'C' UNF	'D'	TUBE SIZE	PKG QTY
E3-4A	23.8	22.2	7/16" x 20	1/8" x 27	1/4"	25
E3-4B	27	24.6	7/16" x 20	1/4" x 18	1/4"	25
E3-6B	28.6	28.6	5/8" x 18	1/4" x 18	3/8"	25
E3-6C	30.2	31.8	5/8" x 18	3/8" x 18	3/8"	25



Part No	'A'	'B'	'C' UNF	'D' UNF	Tube Size	Pkg Qty
ER2-84	31.8	25.4	3/4" x 16	7/16" x 20	1/2" x 1/4"	50



Material specification

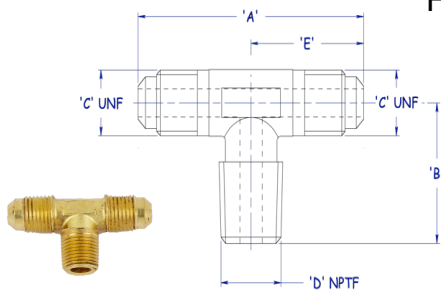
Flare fittings, Plugs, Valve bodies:
Brass to BS EN 12165 CW617N,
or BS EN 12164 CW617N

Bonnets: H65 Brass

Working pressure

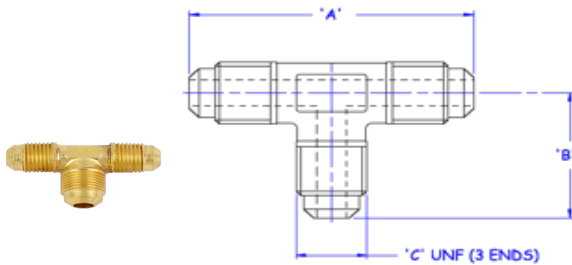
The General Flare Fittings have a maximum working pressure of 300 bar; the shut off valves 28 bar.

**BGE T1- (TYPE)
FLARE & EXT NPTF**



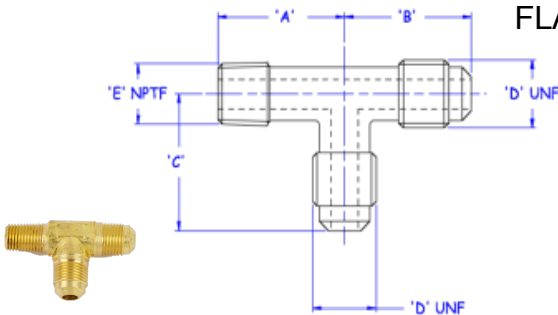
Part No	'A' ±1.58	'B'	'C' UNF	'D' NPTF	'E' ±0.8	TUBE SIZE	PKG QTY
T1-4A	44.5	22.2	7/16" x 20	1/8" x 27	22.2	1/4"	25
T1-4B	48.4	23.8	7/16" x 20	1/4" x 18	24.2	1/4"	25
T1-4C	48.4	28.6	7/16" x 20	3/8" x 18	24.2	1/4"	25
T1-6B	54	27	5/8" x 18	1/4" x 18	27	3/8"	25
T1-6C	57.2	28.6	5/8" x 18	3/8" x 18	28.6	3/8"	25
T1-8C	63.5	30.2	3/4" x 16	3/8" x 18	31.8	1/2"	25

**BGE T2- (TYPE)
FLARE (IDENTICAL)**



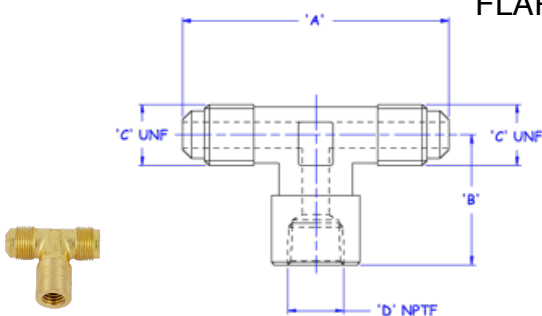
Part No	'A'	'B'	'C' UNF	TUBE SIZE	PKG QTY
T2-4	44.5	22.2	7/16" x 20	1/4"	50
T2-5	47.6	23.8	1/2" x 20	5/16"	25
T2-6	54	27	5/8" x 18	3/8"	25
T2-8	63.5	31.8	3/4" x 16	1/2"	25
T2-10	73	36.5	7/8" x 14	5/8"	25

**BGE T-3 (TYPE)
FLARE & EXT NPTF**



Part No	'A'	'B'	'C'	'D' UNF	'E' NPTF	TUBE SIZE	PKG QTY
T3-4A	22.2	22.2	22.2	7/16" x 20	1/8" x 27	1/4"	25
T3-4B	23.8	22.2	22.2	7/16" x 20	1/4" x 18	1/4"	25

**BGE T-5 (TYPE)
FLARE & INT NPTF**



Part No	'A'	'B'	'C' UNF	'D' NPTF	TUBE SIZE	PKG QTY
T5-4A	47.6	23.8	7/16" x 20	1/8" x 27	1/4"	25
T5-4B	51.6	25.4	7/16" x 20	1/4" x 18	1/4"	25
T5-6B	57.2	28.6	5/8" x 18	1/4" x 18	3/8"	25

Material specification

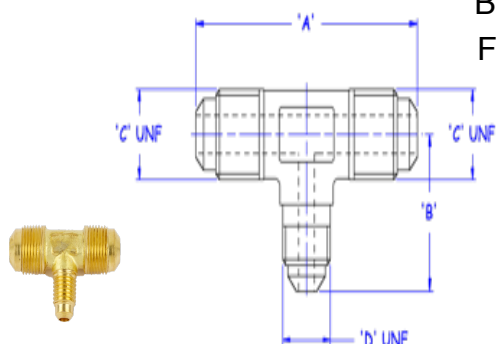
Flare fittings, Plugs, Valve bodies:
Brass to BS EN 12165 CW617N,
or BS EN 12164 CW617N

Bonnets: H65 Brass

Working pressure

The General Flare Fittings have a maximum working pressure of 300 bar; the shut off valves 28 bar.

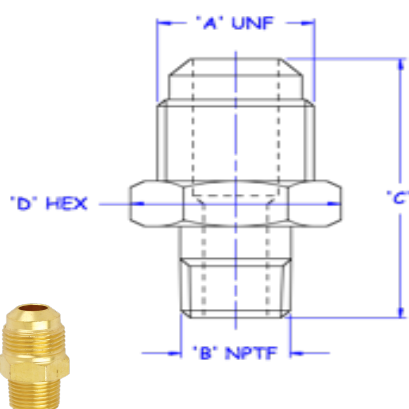
**BGE TR2- (TYPE)
FLARE (REDUCED BRANCH)**



Part No	'A'	'B'	'C' UNF	'D' UNF	TUBE SIZE	PKG QTY
TR2-64	54	23.8	5/8" x 18	7/16" x 20	3/8" x 3/8" x 1/4"	25
TR2-84	63.5	25.4	3/4" x 16	7/16" x 20	1/2" x 1/2" x 1/4"	25
TR2-86	63.5	28.6	3/4" x 16	5/8" x 18	1/2" x 1/2" x 3/8"	25

**BGE U1- (TYPE)
UNION (FLARE TO EXT NPTF)**

Note: 1;1/16 x 14 Thread Defined as UNS

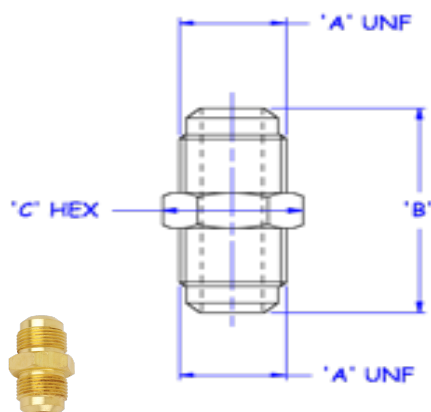


Part No	'A' UNF	'B'	'C'	'D' HEX	TUBE SIZE	PKG QTY
U1-4A	7/16" x 20	1/8" x27	28.2	14.3	1/4"	50
U1-4B	7/16" x 20	1/4" x 18	34.5	15.9	1/4"	50
U1-4C	7/16" x 20	3/8" x 18	36.1	17.5	1/4"	50
U1-4D	7/16" x 20	1/2" x 14	40.9	22.2	1/4"	50
U1-5B	1/2" x 20	1/4" x 18	34.5	15.9	5/16"	25
U1-6A	5/8" x 18	1/8" x27	31.8	19.1	3/8"	25
U1-6B	5/8" x 18	1/4" x 18	36.5	19.1	3/8"	25
U1-6C	5/8" x 18	3/8" x 18	38.1	19.1	3/8"	25
U1-6D	5/8" x 18	1/2" x 14	42.9	22.2	3/8"	25
U1-8B	3/4" x 16	1/4" x 18	40.5	22.2	1/2"	25
U1-8C	3/4" x 16	3/8" x 18	41.3	22.2	1/2"	25
U1-8D	3/4" x 16	1/2" x 14	47.6	22.2	1/2"	25
U1-8E	3/4" x 16	3/4" x 14	49.2	30.2	1/2"	25
U1-10B	7/8" x 14	1/4" x 18	46	25.4	5/8"	25
U1-10C	7/8" x 14	3/8" x 18	46	25.4	5/8"	25
U1-10D	7/8" x 14	1/2" x 14	50.8	25.4	5/8"	25
U1-10E	7/8" x 14	3/4" x 14	52.4	30.2	5/8"	25
U1-12D	1;1/16" x 14	1/2" x 14	55.6	30.2	3/4"	10
U1-12F	1;1/16" x 14	1" x 11.5	61.1	36.5	3/4"	10

If a BSPT thread required on U1- type in place of NPTF
See Page 15

**BGE U2- (TYPE)
UNION (EQUAL FLARE)**

Note: 1;1/16 x 14 Thread Defined as UNS

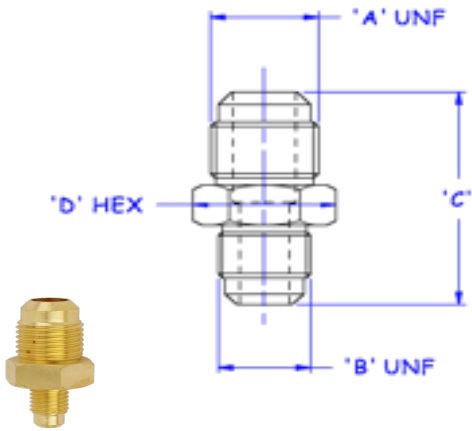


Part No	'A' UNF	'B'	'C' HEX A/F	TUBE SIZE	PKG QTY
U2-3	3/8" x 24	27	11.1	3/16"	50
U2-4	7/16" x 20	32.5	14.3	1/4"	50
U2-5	1/2" x 20	34.9	15.9	5/16"	50
U2-6	5/8" x 18	38.1	19.1	3/8"	50
U2-8	3/4" x 16	46	22.2	1/2"	25
U2-10	7/8" x 14	54	25.4	5/8"	25
U2-12	1;1/16" x 14	61.9	30.2	3/4"	10
U2-14	1;1/4" x 12	71.4	33.3	7/8"	5

Material specification
Flare fittings, Plugs, Valve bodies:
Brass to BS EN 12165 CW617N,
or BS EN 12164 CW617N
Bonnet: H65 Brass
Working pressure
The General Flare Fittings have a maximum working
pressure of 300 bar; the shut off valves 28 bar.

**BGE UR2- (TYPE)
UNION (UNEQUAL FLARE)**

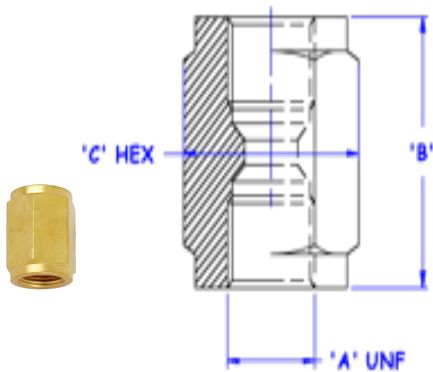
Note: 1;1/16 x 14 Thread Defined as UNS



Part No	'A' UNF	'B' UNF	'C' ±0.8	'D' HEX	TUBE SIZE	PKG QTY
UR2-43	7/16" x 20	3/8" x 24	29.8	14.3	1/4" x 3/16"	50
UR2-54	1/2" x 20	7/16" x 20	34.1	15.9	5/16" x 1/4"	50
UR2-64	5/8" x 18	7/16" x 20	36.1	19.1	3/8" x 1/4"	50
UR2-65	5/8" x 18	1/2" x 20	36.9	19.1	3/8" x 5/16"	50
UR2-84	3/4" x 16	7/16" x 20	40.9	22.2	1/2" x 1/4"	25
UR2-86	3/4" x 16	5/8" x 18	42.9	22.2	1/2" x 3/8"	25
UR2-104	7/8" x 14	7/16" x 20	45.6	25.4	5/8" x 1/4"	25
UR2-106	7/8" x 14	5/8" x 18	47.6	25.4	5/8" x 3/8"	25
UR2-108	7/8" x 14	3/4" x 16	50.8	25.4	5/8" x 1/2"	25
UR2-126	1;1/16" x 14	5/8" x	52.4	30.2	3/4" x 3/8"	10
UR2-128	1;1/16" x 14	3/4" x 16	55.6	30.2	3/4" x 1/2"	10
UR2-1210	1;1/16" x 14	7/8" x 14	58.7	30.2	3/4" x 5/8"	10

**BGE U4- (TYPE)
MANIFOLD COUPLING
(IDENTICAL FLARED ENDS)**

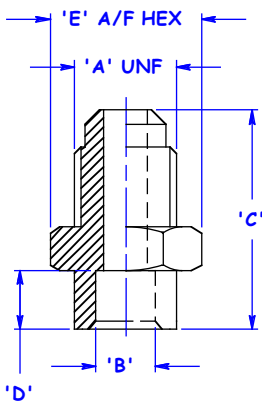
SUPPLIED WITH 2 GASKETS



Part No	'A'	'B' ±0.8	'C' HEX A/F	TUBE SIZE	PKG QTY
U4-4	7/16" x 20	25.4	19.1	1/4"	25
U4-6	5/8" x 18	31.8	22.2	3/8"	25
U4-8	3/4" x 16	36.5	25.4	1/2"	25
U4-10	7/8" x 14	42.9	28.6	5/8"	25

**BGE US2- (TYPE)
UNION (FLARE TO SOLDER END)**

Note: 1;1/16 x 14 Thread Defined as UNS



Part No	'A' UNF	Ø 'B'	'C'	'D'	'E' HEX A/F	TUBE SIZE	SOLDER		PKG QTY
							TUBE SIZE	PKG QTY	
US2-44	7/16" x 20	6.45	23.8	6.4	14.3	1/4"	1/4"	50	
US2-66	5/8" x 18	9.63	31.8	9.5	19.1	3/8"	3/8"	50	
US2-88	3/4" x 16	12.8	39.7	12.7	22.2	1/2"	1/2"	25	
US2-1010	7/8" x 14	15.98	47.6	15.9	25.4	5/8"	5/8"	25	
US2-1212	1;1/16" x 14	19.15	55.6	19.1	30.2	3/4"	3/4"	10	
US2-1414	1;1/4" x 12	22.33	64.3	22.2	33.3	7/8"	7/8"	10	

Material specification

Flare fittings, Plugs, Valve bodies:

Brass to BS EN 12165 CW617N,

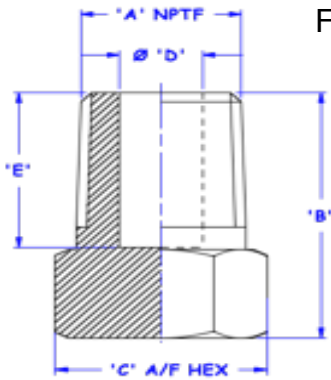
or BS EN 12164 CW617N

Bonnets: H65 Brass

Working pressure

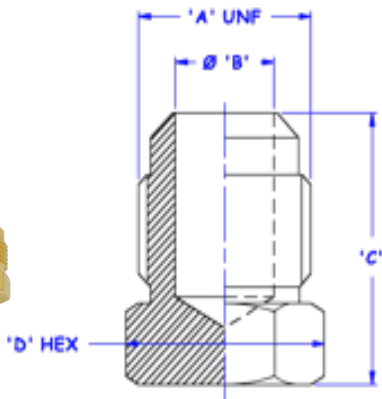
The General Flare Fittings have a maximum working pressure of 300 bar; the shut off valves 28 bar.

BGE P3- (TYPE)
Fusible



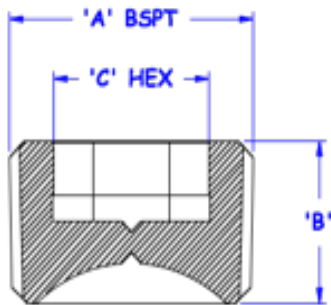
Part No	'A' NPTF	'B'	'C' HEX	Ø'D'	'E'	PKG QTY
P3-A	1/8" x 27	17.5	11.1	SOLID	SOLID	50
P3-B	1/4" x 18	19.1	14.3	SOLID	SOLID	50
P3-C	3/8" x 18	23.8	17.5	10.3	11.1	50
P3-D	1/2" x 14	29.4	22.2	11.1	17.5	25
P3-E	3/4" x 14	28.6	27	15.1	18.3	25

BGE P2- (TYPE)
FLARED SEALING PLUG



Part No	'A' UNF	Ø 'B'	'C'	'D' HEX	TUBE SIZE	PKG QTY
P2-4	7/16" x 20	SOLID	18.7	11.1	1/4"	50
P2-6	5/8" x 18	7.14	22.2	15.9	3/8"	25
P2-8	3/4" x 16	10.3	27.0	19.1	1/2"	25
P2-10	7/8" x 14	12.7	31.8	22.2	5/8"	10
P2-14	1;1/4" x 14	19.1	42.1	33.3	7/8"	10

BGE 70- (TYPE)
SUNKEN HEX BSPT PLUGS



Part No	'A'	'B'	'C' HEX	PKG QTY
7055	1/4"	11.4	6.60/6.48	
7057	1/2"	14.3	9.78/9.65	
7058	3/4"	15.9	14.5/14.4	
7059	1"	19.0	16.1/16.0	

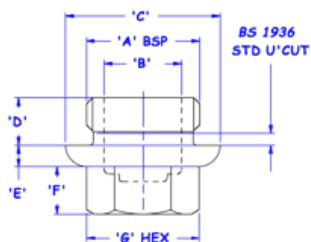
Material specification

Flare fittings, Plugs, Valve bodies:
Brass to BS EN 12165 CW617N,
or BS EN 12164 CW617N
Bonnets: H65 Brass

Working pressure

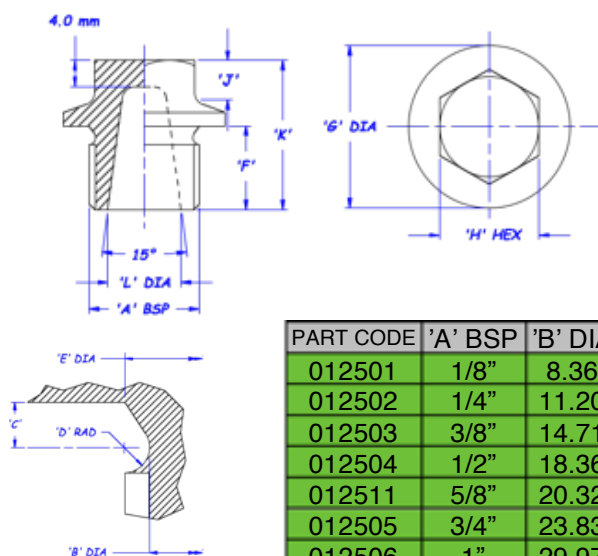
The General Flare Fittings have a maximum working pressure of 300 bar; the shut off valves 28 bar.

BRASS FLANGE PLUGS (HEXAGON HEAD 830)



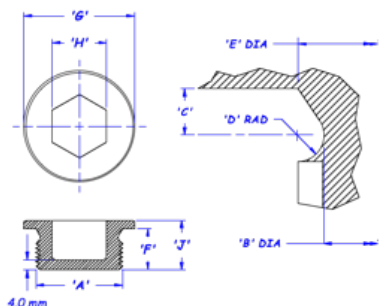
PART CODE	'A' BSP	'B' Core	'C' DIA	'D'	'E'	'F'	'G' HEX
830A	1/8"	SOLID	15.09	6.35	2.39	4.75	11.38
830B	1/4"	SOLID	16.66	6.35	2.39	6.35	13.34
830C	3/8"	SOLID	23.83	7.92	3.18	7.92	15.27
830D	1/2"		14.27	28.58	8.74	3.96	8.74
830E	5/8"		15.88	31.75	9.53	3.96	9.53
830F	3/4"		19.05	36.53	9.53	3.96	9.53
830G	1"		25.40	44.45	10.31	4.75	10.31
830H	1;1/4"		31.75	53.98	11.10	4.75	11.13
830J	1;1/2"		36.51	61.93	14.27	5.56	12.70
830K	2"		47.63	74.63	15.88	6.35	14.27

BRASS HEXAGON HEAD PLUG (SMMT STANDARD)



PART CODE	'A' BSP	'B' DIA	'C'	'D' RAD	'E' DIA	'F'	'G' DIA	'H' HEX	'J'	'K'	'L' DIA
012501	1/8"	8.36	1.27	0.76	9.73	9.53	17.04	11.30	6.35	17.86	SOLID
012502	1/4"	11.20	1.78	1.02	13.16	11.13	20.62	13.34	6.35	19.43	SOLID
012503	3/8"	14.71	1.78	1.02	16.66	12.70	24.59	15.24	7.92	22.61	11.13
012504	1/2"	18.36	2.54	1.52	20.96	14.27	28.96	18.03	7.92	24.99	14.27
012511	5/8"	20.32	2.54	1.52	22.91	14.27	31.75	20.83	9.53	26.97	15.88
012505	3/4"	23.83	2.54	1.52	26.44	14.27	36.12	23.37	9.53	26.97	19.05
012506	1"	29.97	3.30	2.03	33.25	15.88	42.44	30.48	9.53	28.58	23.80
012507	1;1/4"	38.63	3.30	2.03	41.91	15.88	51.18	37.59	9.53	28.58	28.58
012508	1;1/2"	44.45	3.30	2.03	47.80	15.88	58.72	42.42	9.53	28.58	31.75

BRASS SUNKEN HEAD HEXAGON PLUG (SMMT STANDARD 11)



PART CODE	'A' BSP	'B' DIA	'C'	'D' RAD	'E' DIA	'F'	'G' DIA	'H' HEX	'J'
019901	1/2"	18.36	2.54	1.52	20.96	14.27	28.96	13.0	16.81
019902	3/4"	23.83	2.54	1.52	26.44	14.27	36.12	18.0	17.48
019903	1"	29.97	3.30	2.03	33.25	15.88	42.44	21.0	19.05
019904	1;1/4"	38.63	3.30	2.03	41.91	15.88	51.18	24.0	19.05
019905	1;1/2"	44.45	3.30	2.03	47.80	15.88	58.72	30.0	19.05
019906	2"	56.39	3.30	2.03	59.61	15.88	69.85	36.0	20.65

Material specification

Flare fittings, Plugs, Valve bodies:
Brass to BS EN 12165 CW617N,
or BS EN 12164 CW617N

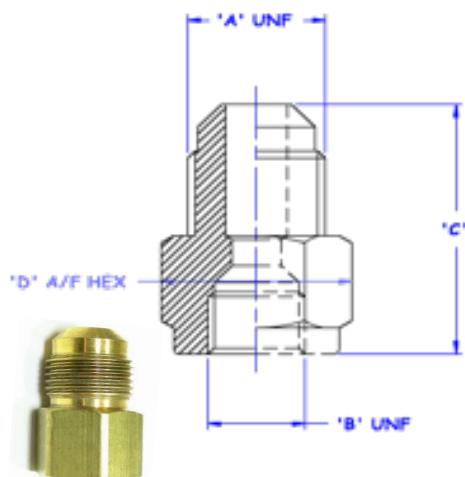
Bonnets: H65 Brass

Working pressure

The General Flare Fittings have a maximum working pressure of 300 bar; the shut off valves 28 bar.

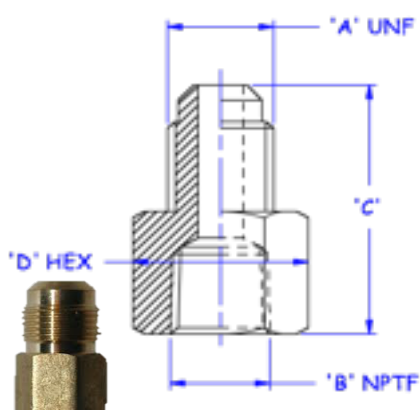
BGE UR3-Reducer (Male Flare to Female Flare)

Note: 1;1/16 x 14 Thread Defined as UNS



Part No	'A' UNF	'B' UNF	'C'	'D' HEX	TUBE SIZE	PKG QTY
UR3-46	5/8" x 18	7/16" x 20	30.2	19.1	3/8" x 1/4"	25
UR3-48	3/4" x 16	7/16" x 20	31.8	22.2	1/2" x 1/4"	25
UR3-54	7/16" x 20	1/2" x 20	27	19.1	1/4" x 5/16"	25
UR3-64	7/16" x 20	5/8" x 18	30.2	22.2	1/4" x 3/8"	25
UR3-68	3/4" x 16	5/8" x 18	35	22.2	1/2" x 3/8"	25
UR3-84	7/16" x 20	3/4" x 16	35	25.4	1/4" x 1/2"	25
UR3-86	5/8" x 18	3/4" x 16	36.5	25.4	3/8" x 1/2"	25
UR3-104	7/16" x 20	7/8" x 14	36.5	28.6	1/4" x 5/8"	25
UR3-106	5/8" x 18	7/8" x 14	40	28.6	3/8" x 5/8"	25
UR3-108	3/4" x 16	7/8" x 14	42.9	28.6	1/2" x 5/8"	25
UR3-124	7/16" x 20	1;1/16" x 14	44.5	35	1/4" x 3/4"	25
UR3-128	3/4" x 16	1;1/16" x 14	47.6	35	1/2" x 3/4"	25
UR3-610	7/8" x 14	5/8" x 18	41.3	25.4	5/8" x 3/8"	25
UR3-810	7/8" x 14	3/4" x 16	41.3	25.4	5/8" x 1/2"	10
UR3-812	1;1/16" x 14	3/4" x 16	49.2	28.6	3/4" x 1/2"	10
UR3-1012	1;1/16" x 14	7/8" x 14	49.2	28.6	3/4" x 5/8"	10
UR3-1210	7/8" x 14	1;1/16" x 14	50.8	34.9	5/8" x 3/4"	10

FEMALE COUPLING (MALE FLARE TO FEMALE NPTF)



Part No	'A' UNF	'B' NPTF	'C'±0.8	'D' HEX	TUBE SIZE	PKG QTY
U3-4A	7/16" x 20	1/8" x 27	27.4	15.9	1/4"	25
U3-4B	7/16" x 20	1/4" x 18	33	22.2	1/4"	25
U3-4C	7/16" x 20	3/8" x 18	31.4	25.4	1/4"	25
U3-4D	7/16" x 20	1/2" x 14	39.3	28.6	1/4"	25
U3-5B	1/2" x 20	1/4" x 18	35.3	22.2	5/16"	25
U3-6B	5/8" x 18	1/4" x 18	34.9	22.2	3/8"	25
U3-6C	5/8" x 18	3/8" x 18	34.9	25.4	3/8"	25
U3-6D	5/8" x 18	1/2" x 14	41.3	28.6	3/8"	25
U3-8B	3/4" x 16	1/4" x 18	38.1	22.2	1/2"	25
U3-8C	3/4" x 16	3/8" x 18	38.1	25.4	1/2"	25
U3-8D	3/4" x 16	1/2" x 14	44.5	28.6	1/2"	25
U3-10C	7/8" x 14	3/8" x 18	41.3	25.4	5/8"	10
U3-10D	7/8" x 14	1/2" x 14	47.6	28.6	5/8"	10

Material specification

Flare fittings, Plugs, Valve bodies:

Brass to BS EN 12165 CW617N,

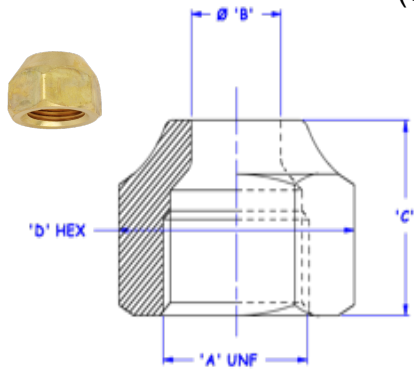
or BS EN 12164 CW617N

Bonnets: H65 Brass

Working pressure

The General Flare Fittings have a maximum working pressure of 300 bar; the shut off valves 28 bar.

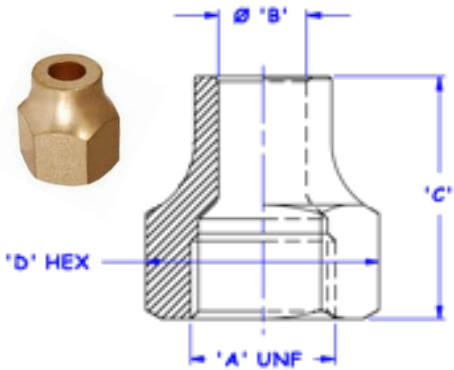
**BGE NS4- (HF TYPE)
FEMALE FLARE NUT
(SHORT HEAVY)**



Note: 1;1/16 x 14 Thread Defined as UNS

Part No	'A' UNF	Ø 'B'	Ø 'B' MIN	'C'	'D' HEX	TUBE	PKG QTY
NS4-3HF	3/8" x 24	5.004	4.877	13.5	15.9	3/16"	100
NS4-4HF	7/16" x 20	6.604	6.477	15.1	19.1	1/4"	100
NS4-5HF	1/2" x 20	8.179	8.052	15.9	19.1	5/16"	50
NS4-6HF	5/8" x 18	9.779	9.652	17.5	22.2	3/8"	100
NS4-8HF	3/4" x 16	12.954	12.827	20.6	25.4	1/2"	100
NS4-10HF	7/8" x 14	16.129	16.002	23.8	28.6	5/8"	50
NS4-12HF	1;1/16" X 14	19.304	19.177	28.6	34.9	3/4"	25
NS4-14HF	1;1/4" x 12	22.479	22.352	32.5	38.1	7/8"	25

**BGE N4- (TYPE)
LONG FEMALE FLARE NUT**

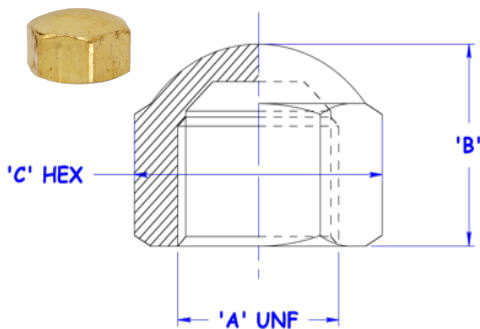


Note: 1;1/16 x 14 Thread Defined as UNS

Part No	'A' UNF	Ø 'B' MAX	Ø 'B' MIN	'C' ±	'D' HEX	TUBE SIZE	PKG QTY
N4-4	7/16" x 20	6.604	6.477	23.8	19.1	1/4"	100
N4-6	5/8" x 18	9.779	9.652	27	22.2	3/8"	50
N4-8	3/4" x 16	12.954	12.827	30.2	25.4	1/2"	50
N4-10	7/8" x 14	16.129	16.002	36.5	28.6	5/8"	50
N4-12	1;1/16" X 14	19.304	19.177	44.5	34.9	3/4"	25

**BGE N5- (TYPE)
FEMALE FLARE CAP NUT**

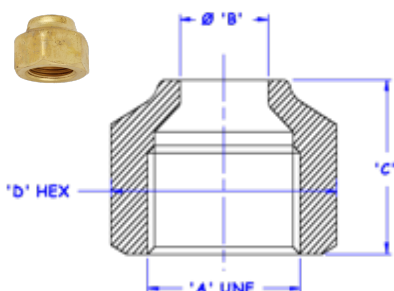
Note: 1;1/16 x 14 Thread Defined as UNS



Part No	'A' UNF	'B'	'C' HEX	TUBE SIZE	PKG QTY
N5-4	7/16" x 20	16.3	19.1	1/4"	50
N5-5	1/2" x 20	15.1	19.1	5/16"	50
N5-6	5/8" x 18	18.7	22.2	3/8"	50
N5-8	3/4" x 16	21.4	25.4	1/2"	25
N5-10	7/8" x 14	22.2	28.6	5/8"	25
N5-12	1;1/16" x 14	29.0	34.9	3/4"	25

**BGE NRS4- (TYPE)
FEMALE FLARE**

Note: 1;1/16 x 14 Thread Defined as UNS



Part No	'A' UNF	Ø 'B' MAX	Ø 'B' MIN	'C' +2.4	'D' HEX	TUBE SIZE	PKG QTY
NRS4-43	7/16" x 20	5.004	4.877	15.1	19.1	1/4" x 3/16"	50
NRS4-64	5/8" x 18	6.604	6.477	17.5	22.2	3/8" x 1/4"	50
NRS4-65	5/8" x 18	8.179	8.052	17.5	22.2	3/8" x 5/16"	50
NRS4-86	3/4" x 16	9.779	9.652	20.6	25.4	1/2" x 3/8"	50
NRS4-108	7/8" x 14	12.954	12.827	23.8	28.6	5/8" x 1/2"	50
NRS4-1210	1;1/16" x 14	16.129	16.002	28.6	34.9	3/4" x 5/8"	25
NRS4-1412	1;1/4" x 12	19.304	19.177	32.5	38.1	7/8" x 3/4"	25

Material specification

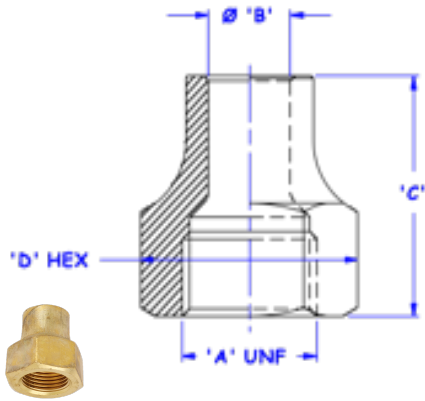
Flare fittings, Plugs, Valve bodies:
Brass to BS EN 12165 CW617N,
or BS EN 12164 CW617N
Bonnets: H65 Brass

Working pressure

The General Flare Fittings have a maximum working pressure of 300 bar; the shut off valves 28 bar.

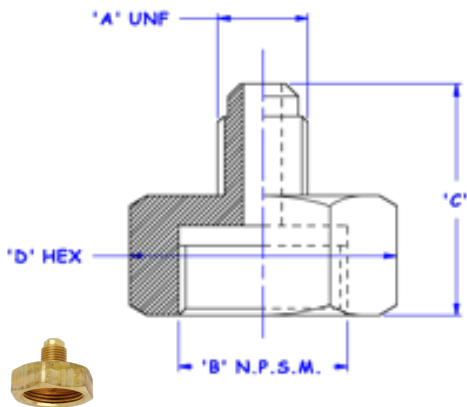
**BGE NR4- (TYPE)
FEMALE FLARE NUT**

Note: 1;1/16 x 14 Thread Defined as UNS



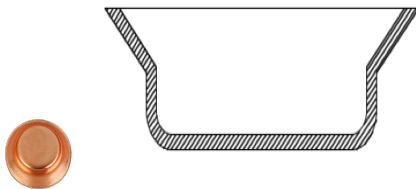
Part No	'A' UNF	Ø 'B' MAX	Ø 'B' MIN	'C' ±0.8	'D' HEX	TUBE	PKG QTY
NR4-64	5/8" x 18	6.604	6.477	27.0	22.2	3/8" x 1/4"	50
NR4-65	5/8" x 18	8.179	8.052	27.0	22.2	3/8" x 5/16"	50
NR4-86	3/4" x 16	9.779	9.652	30.2	25.4	1/2" x 3/8"	50
NR4-108	7/8" x 14	12.954	12.827	36.5	28.6	5/8" x 1/2"	25
NR4-1210	1;1/16" x 14	16.129	16.002	44.5	34.9	3/4" x 5/8"	25

**BGE K1- (TYPE)
DRUM ADAPTOR**



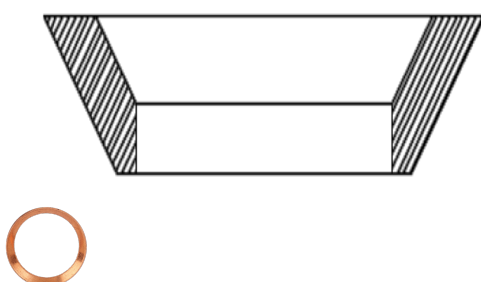
Part No	'A' UNF	'B' N.P.S.M	'C'	'D' HEX	TUBE SIZE	PKG QTY
K1-4E	7/16" x 20	3/4" x 14	29.4	31.8	1/4"	10

**BGE B1- (TYPE)
BONNET**



Part No	TUBE SIZE	PKG QTY
B1-3	3/16"	100
B1-4	1/4"	100
B1-5	5/16"	100
B1-6	3/8"	100
B1-8	1/2"	50
B1-10	5/8"	50
B1-12	3/4"	50
B1-14	7/8"	25
B1-16	1"	25

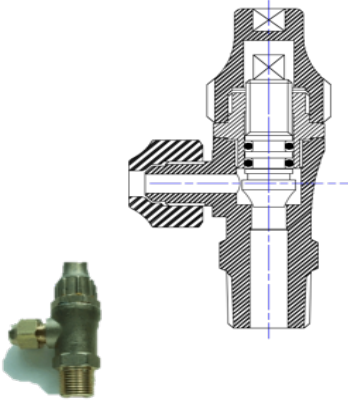
**BGE B2- (TYPE)
SEALING WASHER**



Part No	TUBE SIZE	PKG QTY
B2-3	3/16"	100
B2-4	1/4"	100
B2-5	5/16"	100
B2-6	3/8"	100
B2-8	1/2"	50
B2-10	5/8"	50
B2-12	3/4"	50
B2-14	7/8"	25
B2-16	1"	25

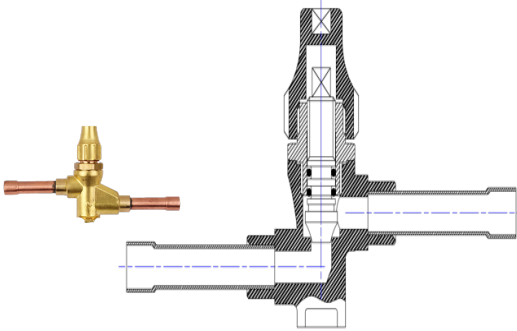
Material specification
Flare fittings, Plugs, Valve bodies:
Brass to BS EN 12165 CW617N,
or BS EN 12164 CW617N
Bonnet: H65 Brass
Working pressure
The General Flare Fittings have a maximum working
pressure of 300 bar; the shut off valves 28 bar.

BGE GJ1- (TYPE)
ANGLE VALVE



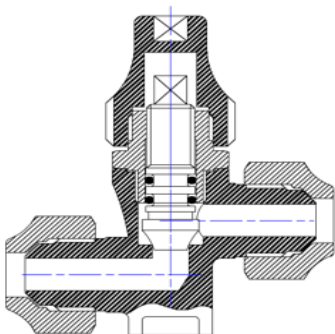
Part No	Inlet Size	Outlet size
GJ1-B4	1/4" NPTF	1/4" FLARE
GJ1-B6	1/4" NPTF	3/8" FLARE
GJ1-C4	3/8" NPTF	1/4" FLARE
GJ1-C6	3/8" NPTF	3/8" FLARE
GJ1-C8	3/8" NPTF	1/2" FLARE
GJ1-D6	1/2" NPTF	3/8" FLARE
GJ1-D8	1/2" NPTF	1/2" FLARE
GJ1-D10	1/2" NPTF	5/8" FLARE

BGE GH1- (TYPE)
HAND SHUT OFF VALVE
(SOLDER TYPE)



Part No	Tube Size
GH1-4S	1/4"
GH1-6S	3/8"
GH1-8S	1/2"
GH1-10S	5/8"

BGE GH1- (TYPE)
HAND SHUT OFF VALVE
(FLARE TYPE)



Part No	Tube Size
GH1-4F	1/4"
GH1-6F	3/8"
GH1-8F	1/2"
GH1-10F	5/8"

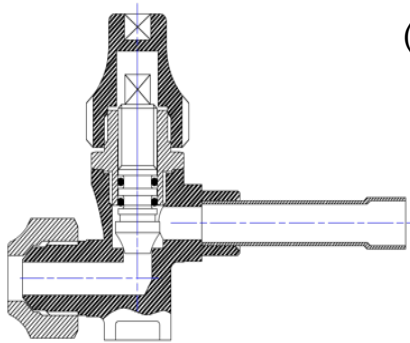
Material specification

Flare fittings, Plugs Valve bodies:
Brass to BS EN 12165 CW617N,
or BS EN 12164 CW617N
Bonnet: H65 Brass

Working pressure

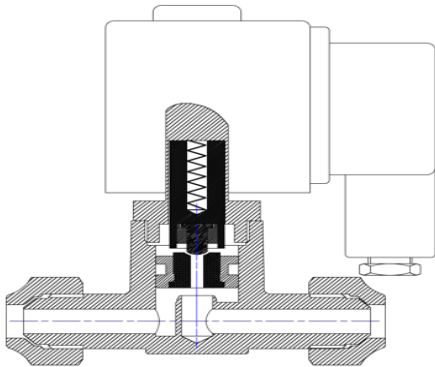
The General Flare Fittings have a maximum working pressure of 300 bar; the shut off valves 28 bar.

BGE GH1- (TYPE)
HAND SHUT OFF VALVE
(FLARE TO SWEAT TYPE)



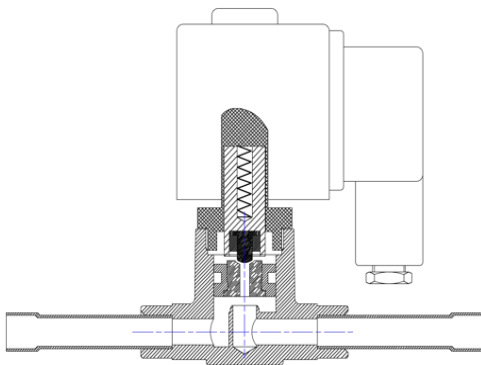
Part No	Tube Size
GH1-4SF	1/4"
GH1-6SF	3/8"

BGE GF1- (TYPE)
SOLENOID VALVE
(FLARE TYPE)



Part No	Tube Size
GF1-4F	1/4"
GF1-6F	3/8"
GF1-8F	1/2"
GF1-10F	5/8"

BGE GF1- (TYPE)
SOLENOID VALVE
(SOLDER TYPE)



Part No	Tube Size
GF1-4S	1/4"
GF1-6S	3/8"
GF1-8S	1/2"
GF1-10S	5/8"
GF1-14S	7/8"

Material specification

Flare fittings, Plugs Valve bodies:
Brass to BS EN 12165 CW617N,
or BS EN 12164 CW617N

Bonnets: H65 Brass

Working pressure

The General Flare Fittings have a maximum working pressure of 300 bar; the shut off valves 28 bar.