



## TOTALINE THERMOSTATS

**MODEL:** T-TSC093A/F

**DESCRIPTION:** BOXED THERMOSTAT TYPE T-TSC093A/A, WORKING TEMPERATURE RANGE:  $-35^{\circ}\text{C}$  /  $+35^{\circ}\text{C}$ , COPPER CAPILLARY LENGTH 1500 mm AND KNOB WITH BLACK NUMBERS AND TOTALINE LOGO

**BILB LENGHT:** 215 mm

**MINIMUM RADIUS OF CURVATURE OF CAPILLARY TUBE:** 6 mm

**MAX. /MIN. REGULATION TEMPERATURE:**  $+35^{\circ}\text{C}/-35^{\circ}\text{C}$

**MAX. TEMPERATURA AT THERMOSTAT:**  $80^{\circ}\text{C}$

**MAX. TEMPERATURA AT BULB:**  $65^{\circ}\text{C}$

**CAPILLARY LENGHT:** 1500 mm

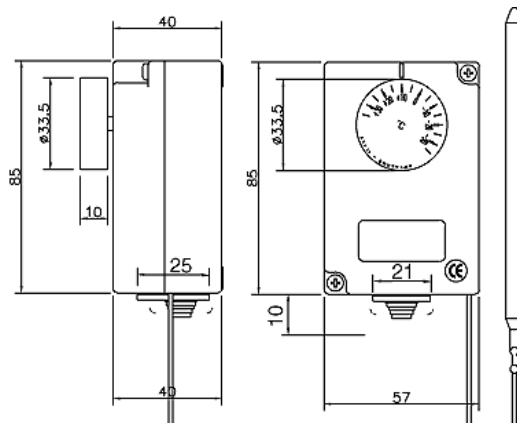
**CONTACTS:** MASSIVE SILVER

**CAPACITY AT CONTACTS:** 15A – 250V ; 10A – 380V

**PROTECTION DEGREE:** IP44

**TEST CLASS:** 100.000

**BULB DIAMETERO** 6 mm





## TOTALINE THERMOSTATS

**MODEL:** T-TSC094A/A

**DESCRIPTION:** BOXED THERMOSTATS TYPE T-TSC093A/A, WORKING TEMPERATURE RANGE:  $-35^{\circ}\text{C}$  /  $+35^{\circ}\text{C}$  KNOB WITH BLACK NUMBERS AND TOTALINE LOGO

**MINIMUM RADIUS OF CURVATURE OF CAPILLARY TUBE:**  $+35^{\circ}\text{C}/-35^{\circ}\text{C}$

**MAX. TEMPERATURA AT THERMOSTAT:**  $80^{\circ}\text{C}$

**MAX. TEMPERATURA AT BULB:**  $65^{\circ}\text{C}$

**CONTACTS:** MASSIVE SILVER

**CAPACITY AT CONTACTS:** 15A – 250V ; 10A – 380V

**PROTECTION DEGREE:** IP44

**TEST CLASS:** 100.000

