

Installation Guide

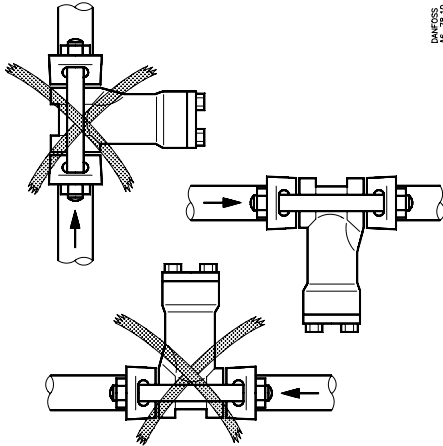
Strainer

FA 15, 20, 25

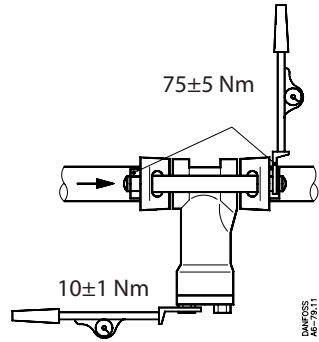
006R9500

Tilladeligt drifttryk / Max. working pressure /
 Zulässiger Betriebsüberdruck / Pression de service max.: PB / MWP = 28 bar / 400 psig

006R9500



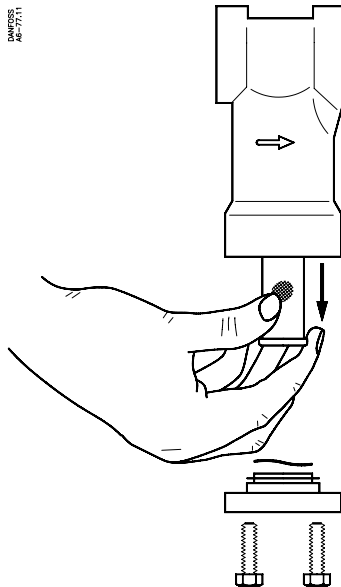
DANFOSS
AP-76.10



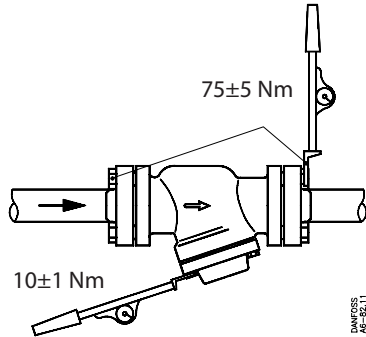
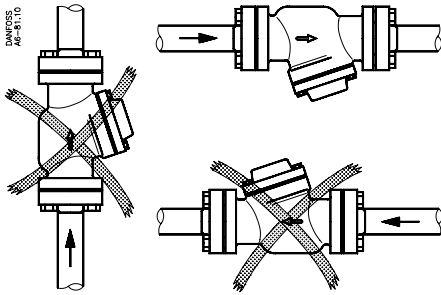
DANFOSS
AP-76.11

FA 15, 20

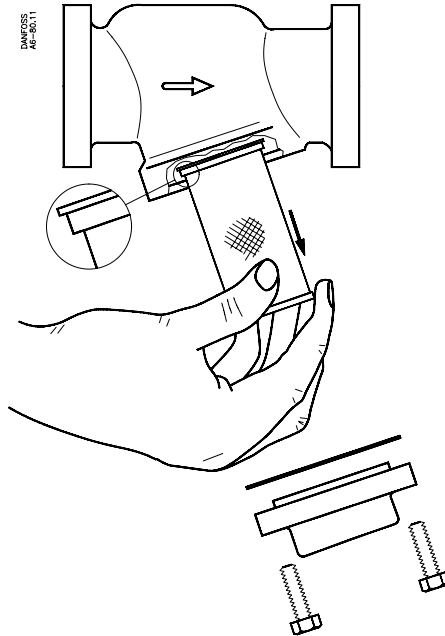
DANFOSS
AP-77.11



Tilladeligt driftryk / Max. working pressure /
 Zulässiger Betriebsüberdruck / Pression de service max.: PB / MWP = 28 bar / 400 psig



FA 25



Danfoss can accept no responsibility for possible errors in catalogues, brochures and other printed material. Danfoss reserves the right to alter its products without notice. This also applies to products already on order provided that such alterations can be made without consequential changes being necessary in specifications already agreed. All trademarks in this material are property of the respective companies. Danfoss and the Danfoss logotype are trademarks of Danfoss A/S. All rights reserved.