



Turn to the experts

BASIC INSTALLATION GUIDE

KJR120X(2)

(max 16 indoor units)

CCM-30

(max 64 indoor units)

1. Wired remote controller structural dimensions

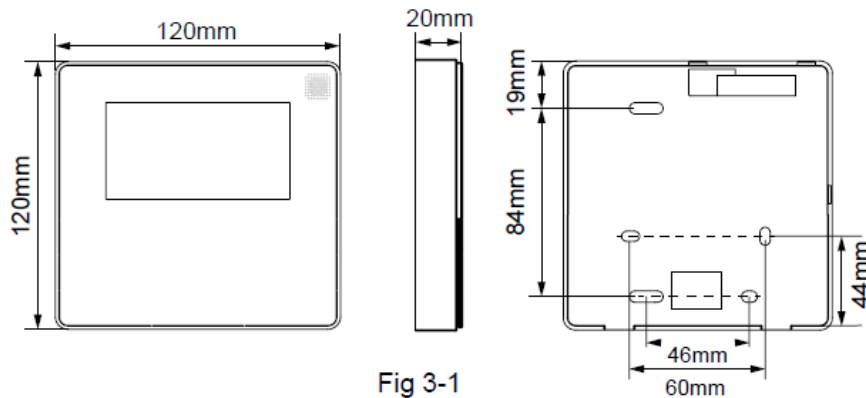


Fig 3-1

2. Remove the upper part of wired controller

- Insert a slot screwdriver into the slots in the lower part of the wired controller (2 places), and remove the upper part of the wire controller. (Fig.3-2)

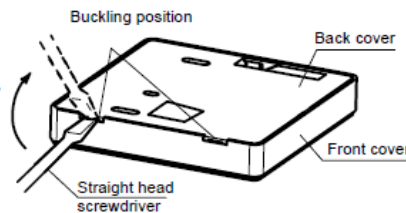


Fig 3-2

NOTE: The PCB is mounted in the upper part of the wired controller. Be careful not to damage the board with the slot screwdriver.

3. Fasten the back plate of the wired controller

- For exposed mounting, fasten the back plate on the wall with the 3 screws (M4×20) and plugs. (Fig.3-3)

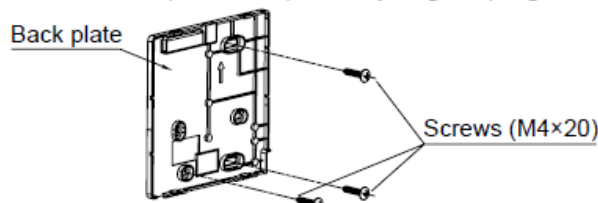


Fig 3-3

- Use two M4X25 screws to install the back cover on the 86 switch box, and use one M3.9×25 screw to fix to the wall.

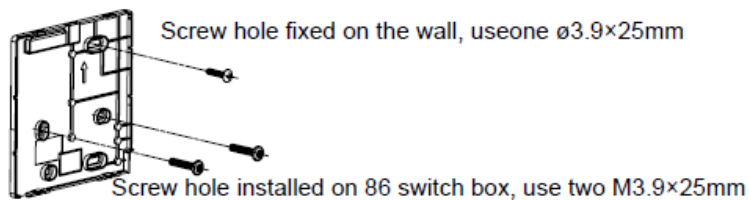


Fig 3-4

NOTE: Put on a flat surface. Be careful not to distort the back plate of the wire controller by overtightening the mounting screws.

4. Battery installation

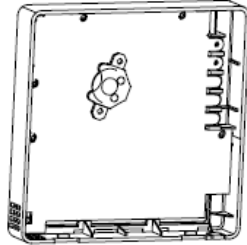


Fig 3-5

- Put the battery into the installation site and make sure the positive side of the battery is in accordance with the positive side of installation site. (See Fig.3-5)
- Please set the time corrected on the first time operation. Batteries in the wire controller can time under power failure which ensure the time keep right. When the power restores, if the time displayed is not correct, it means the battery is dead and replace the battery.

5. Wire with the indoor unit

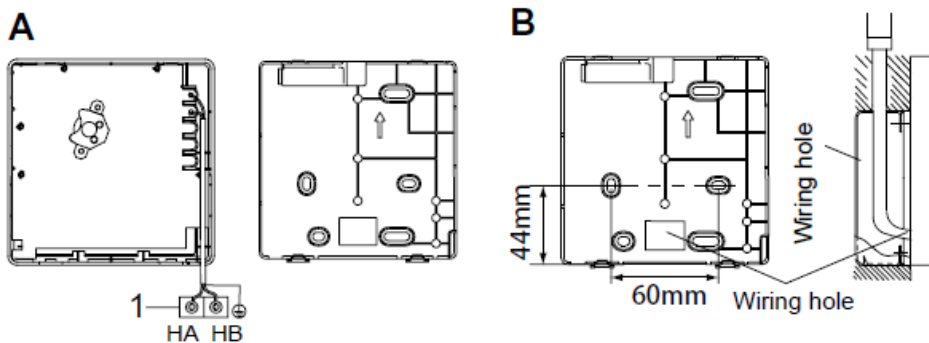


Fig 3-6

1. indoor unit
2. notch the part for the wiring to pass through with nippers, etc. Connect the terminals on the remote controller (HA ,HB), and the terminals of the indoor unit (HA ,HB). (HA and HB do not have polarity.)

NOTE:

- DO NOT allow water to enter the remote control. Use the trap and putty to seal the wires.
- Connecting wires must be fixed reliably and cannot be pulled.



Turn to the experts

For some units, the wired controller connects to the unit HA and HB ports through the HA and HB ports. There is no polarity between HA and HB. See Fig. 3-7

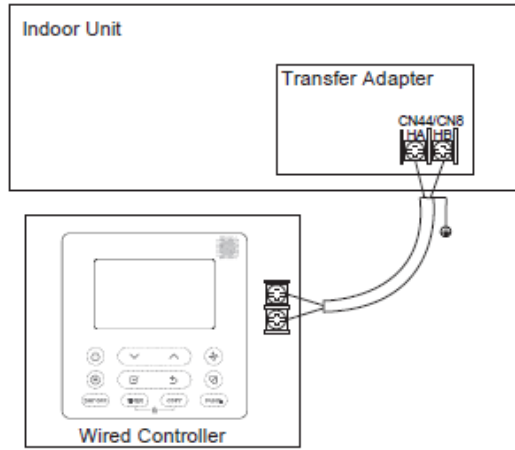


Fig.3-7

The main/secondary wired controller can be used to enable two wired controllers to control one unit, and the wired controllers connect to the unit HA and HB ports through the HA and HB port on the controller. There is no polarity between HA and HB. See Fig. 3-8

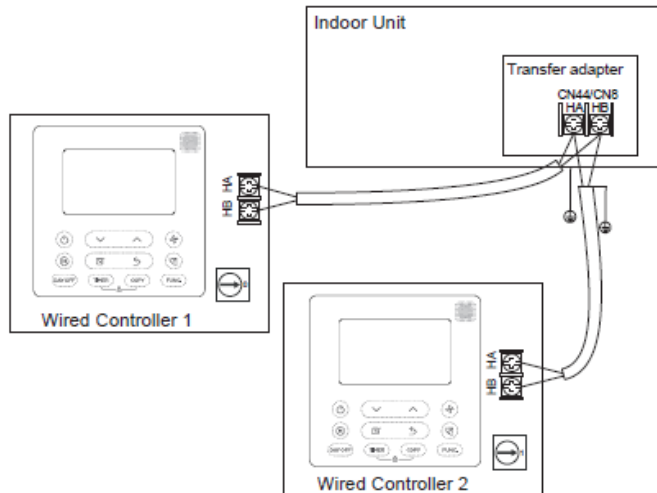


Fig.3-8



Turn to the experts

For some units, one wired controller can support multiple units (a maximum of 16 units). In this case, the wired controller and unit need to be connected to the HA and HB ports at the same time. In group control, there will be no error displayed on the wired controller. See Fig. 3-9

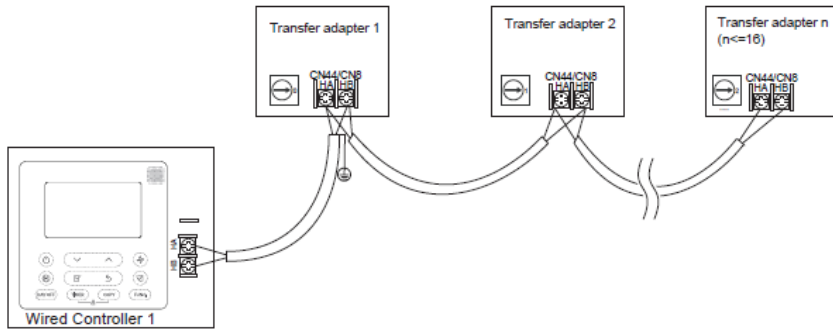


Fig.3-9

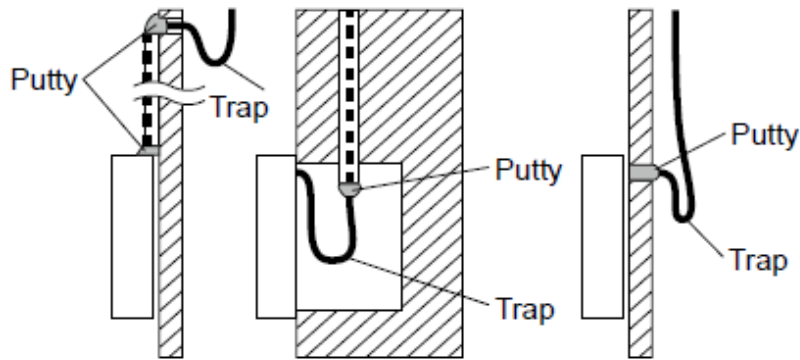


Fig 3-10

6. Reattach the upper part of the wired controller

- After adjusting the upper case and then buckle the upper case; avoid clamping the wiring during installation. (Fig 3-11)

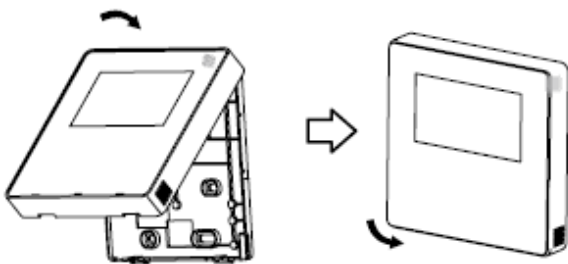


Fig 3-11

All the pictures in this manual are for explanation purpose only. Your wire controller may be slightly different. The actual shape shall prevail.



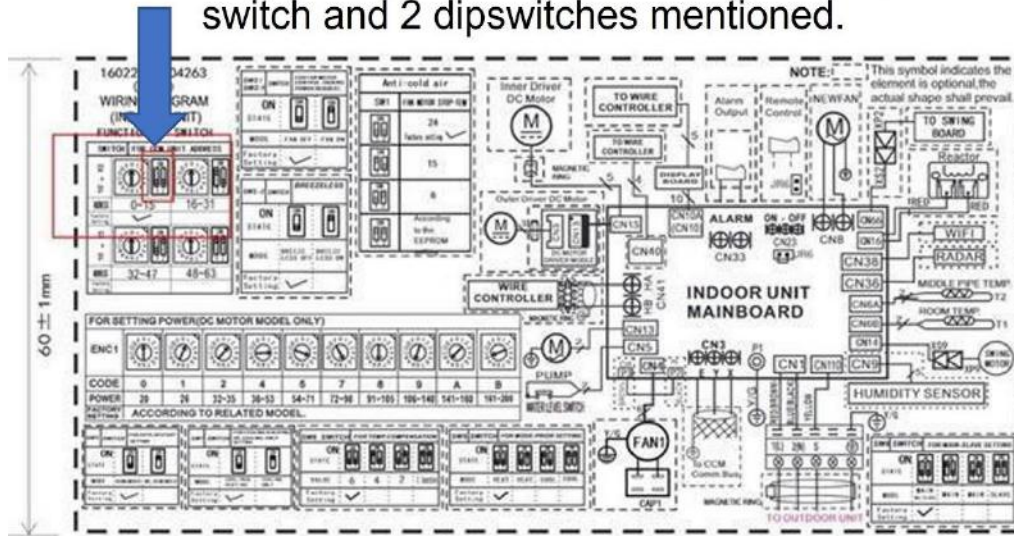
Turn to the experts

Input voltage	DC 12V
Ambient temperature	-5~43°C (23~110°F)
Ambient humidity	RH40%~RH90%

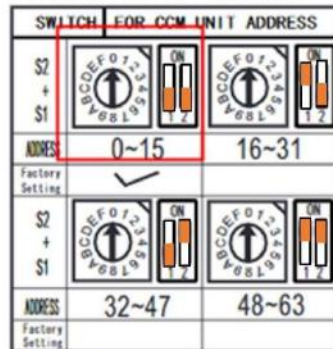
Wiring specifications

Wiring type	Size	Total length
shielded vinyl cord or cable	0.5mm ²	≤20m (66')
	0.75-1.25mm ²	≤50m (164')

Note; on the PCD board is only 1 rotary switch and 2 dipswitches mentioned.



16022500004263
(V1.6)
WIRING DIAGRAM
(INDOOR UNIT)
FUNCTION OF SWITCH



Dipswitch Setting



Turn to the experts

BEIJER REF
