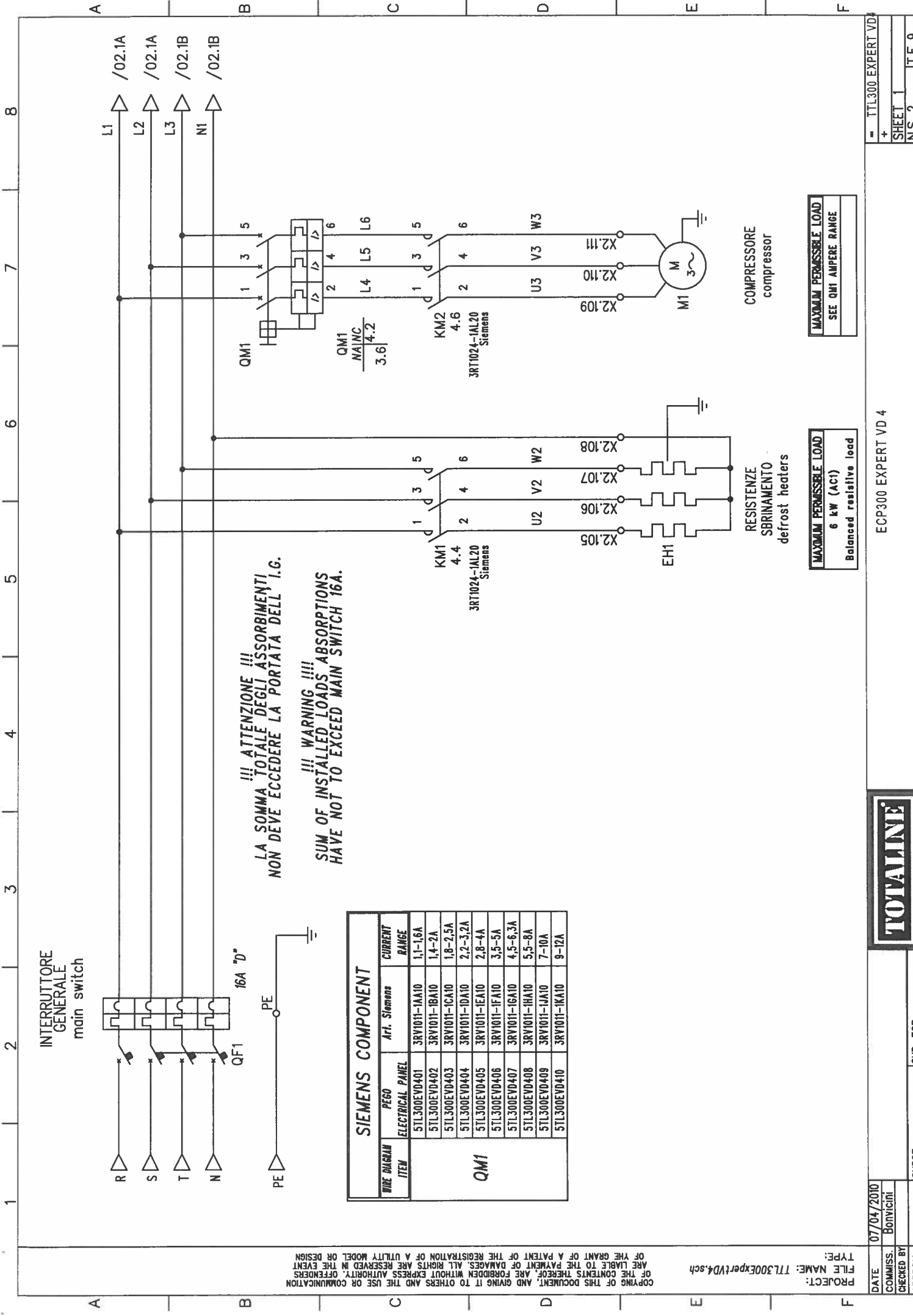


PROJECT: FILE NAME: TTL300ExpertVD4.sch
 TYPE: TTL300 EXPERT VD
 DATE: 07/04/2010
 COMMISS.: Bonvicini
 CHECKED BY:
 APPROV.:



!!! ATTENZIONE !!!
 LA SOMMA TOTALE DEGLI ASSORBIMENTI
 NON DEVE ECCEDERE LA PORTATA DELL' I.G.

!!! WARNING !!!!
 SUM OF INSTALLED LOADS ABSORPTIONS
 HAVE NOT TO EXCEED MAIN SWITCH 16A.

SIEMENS COMPONENT		
WIRE DIAGRAM ITEM	PEGO ELECTRICAL PANEL	Art. Siemens CURRENT RANGE
QM1	5TL300EVD401	3RV1011-1AA10 1.1-1.6A
	5TL300EVD402	3RV1011-1BA10 1.4-2A
	5TL300EVD403	3RV1011-1CA10 1.8-2.5A
	5TL300EVD404	3RV1011-1DA10 2.2-3.2A
	5TL300EVD405	3RV1011-1EA10 2.8-4A
	5TL300EVD406	3RV1011-1FA10 3.5-5A
	5TL300EVD407	3RV1011-1GA10 4.5-6.3A
	5TL300EVD408	3RV1011-1HA10 5.5-8A
5TL300EVD409	3RV1011-1JA10 7-10A	
5TL300EVD410	3RV1011-1KA10 9-12A	

MAXIMUM PERMISSIBLE LOAD
 SEE QM1 AMPERE RANGE

MAXIMUM PERMISSIBLE LOAD
 6 kW (ACT)
 Balanced resistive load

COPYING OF THIS DOCUMENT, AND GIVING IT TO OTHERS AND THE USE OR COMMUNICATION OF THE CONTENTS THEREOF, ARE FORBIDDEN WITHOUT EXPRESS AUTHORITY. OFFENDERS ARE LIABLE TO THE PAYMENT OF DAMAGES. ALL RIGHTS ARE RESERVED IN THE EVENT OF THE GRANT OF A PATENT OF THE REGISTRATION OF A UTILITY MODEL OR DESIGN

PROJECT: FILE NAME: TTL300ExpertVD4.sch
 TYPE:

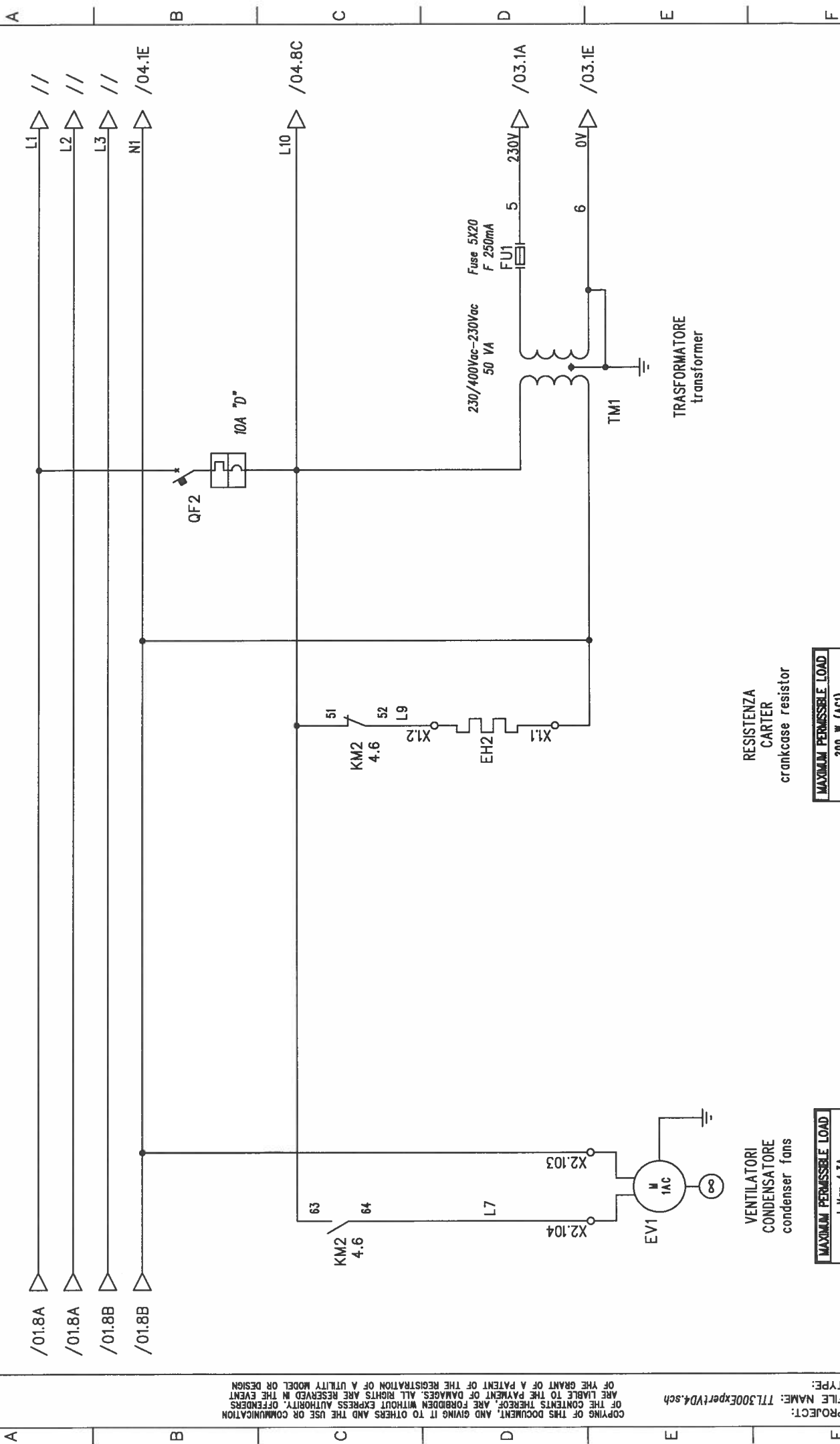
DATE	07/04/2010
COMMISS.	Bortvicini
CHECKED BY	
APPROV.	

SUBST.:	1
SUB. FOR:	2



ECP300 EXPERT VD 4

-	TTL300 EXPERT VD4
+	
	SHEET 2
	N.S. 3
	T.F. 9



MAXIMUM PERMISSIBLE LOAD
 1 Max 4,3A

MAXIMUM PERMISSIBLE LOAD
 200 W (Act)

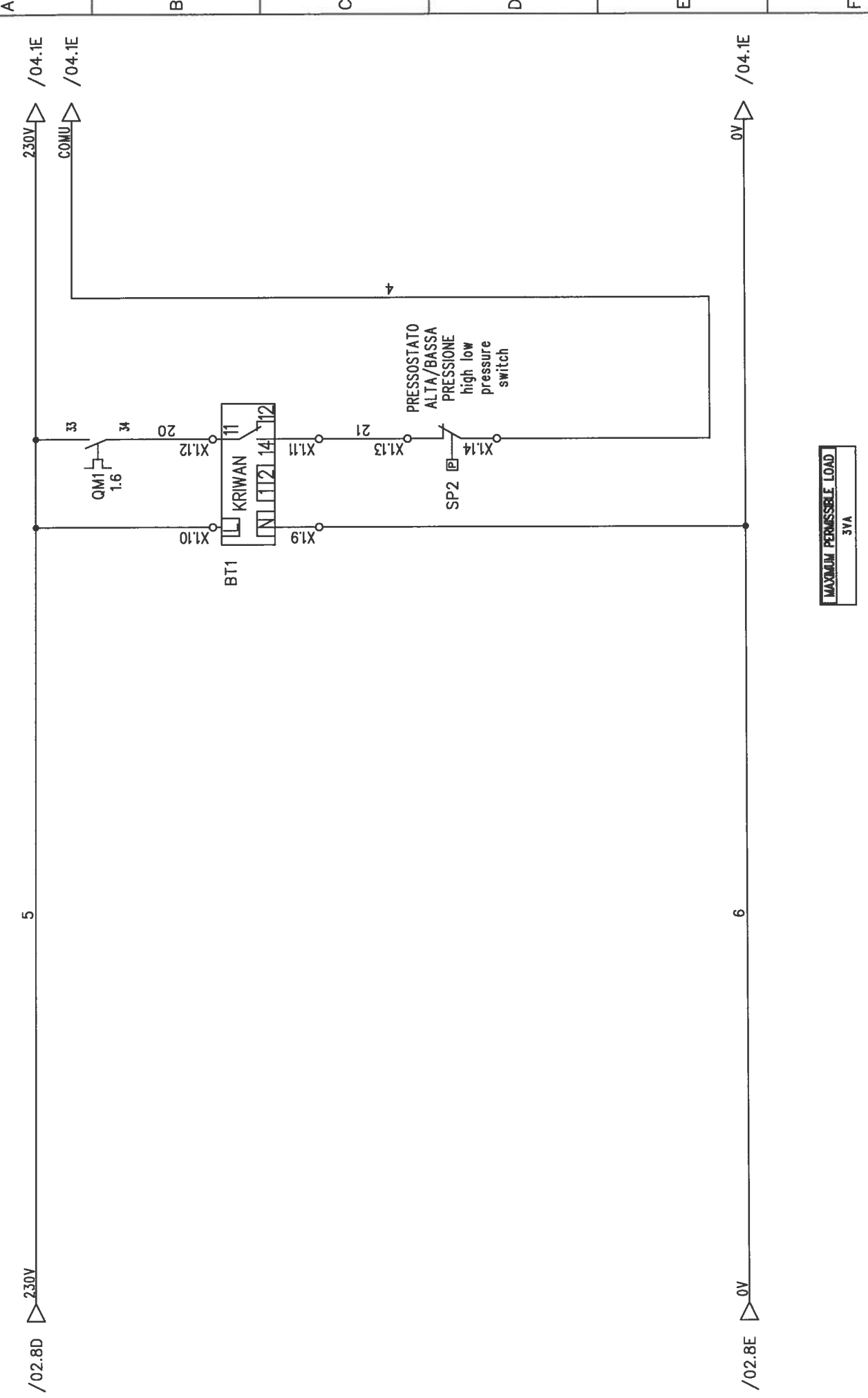
RESISTENZA
 CARTER
 crankcase resistor

VENTILATORI
 CONDENSATORE
 condenser fans

TRASFORMATORE
 transformer

1 2 3 4 5 6 7 8
 A B C D E F

PROJECT: FILE NAME: TTL300expertVD4.sch
 TYPE: COPY OF THIS DOCUMENT, AND GIVING IT TO OTHERS AND THE USE OR COMMUNICATION OF THE CONTENTS THEREOF, ARE FORBIDDEN WITHOUT EXPRESS AUTHORITY. OFFENDERS ARE LIABLE TO THE PAYMENT OF DAMAGES. ALL RIGHTS ARE RESERVED IN THE EVENT OF THE GRANT OF A PATENT OF THE REGISTRATION OF A UTILITY MODEL OR DESIGN.



MAXIMUM PERMISSIBLE LOAD
 3VA

DATE: 07/04/2010
 COMMISS. BONVICINI
 CHECKED BY
 APPROV.

SUBST.: SUB. FOR:

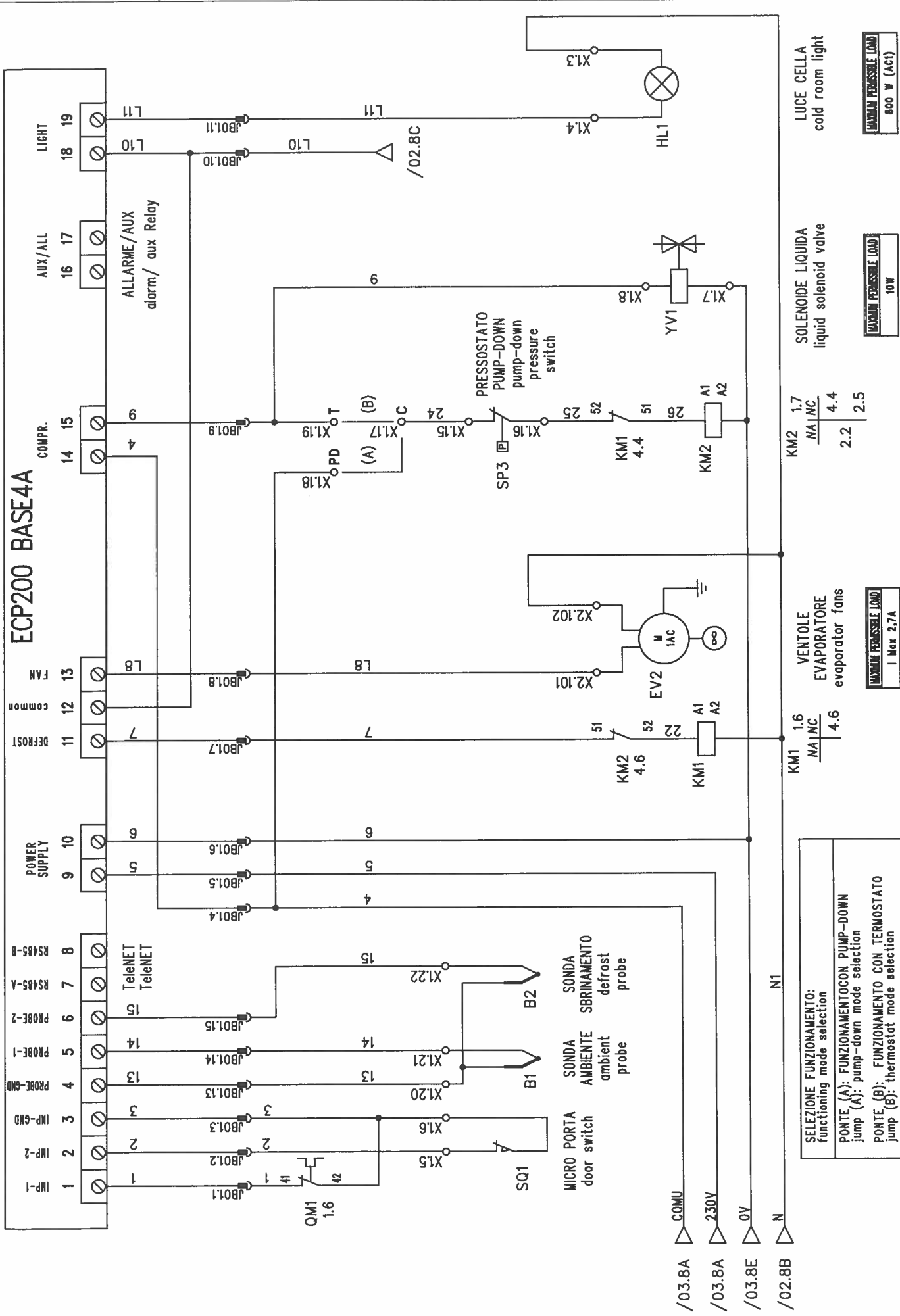
TOTALINE

ECP300 EXPERT VD 4

- TTL300 EXPERT VD4
 + SHEET 3
 N.S. 4 T.F. 9

PROJECT: T1L300ExpertVD4.sch
 FILE NAME: T1L300ExpertVD4.sch
 TYPE:

COPYING OF THIS DOCUMENT, AND GIVING IT TO OTHERS AND THE USE OR COMMUNICATION OF THE CONTENTS THEREOF, ARE FORBIDDEN WITHOUT EXPRESS AUTHORITY. OFFENDERS ARE LIABLE TO THE PAYMENT OF DAMAGES. ALL RIGHTS ARE RESERVED IN THE EVENT OF THE GRANT OF A PATENT OF THE REGISTRATION OF A UTILITY MODEL OR DESIGN.



SELEZIONE FUNZIONAMENTO:
 functioning mode selection
PONTE (A): FUNZIONAMENTO CON PUMP-DOWN
 jump (A): pump-down mode selection
PONTE (B): FUNZIONAMENTO CON TERMOSTATO
 jump (B): thermostat mode selection

VENTOLE
 EVAPORATORE
 evaporator fans
 MAXIMUM PERMISSIBLE LOAD
 1 Max 2,7A

SOLENOIDE LIQUIDA
 liquid solenoid valve
 MAXIMUM PERMISSIBLE LOAD
 10W

LUCE CELLA
 cold room light
 MAXIMUM PERMISSIBLE LOAD
 800 W (ACI)

PROJECT: FILE NAME: TTL300expertVD4.sch
 TYPE: 30/03/2007
 DATE: Botvicini
 COMMISS: Botvicini
 CHECKED BY: SUBST.:
 APPROV.: SUB. FOR:



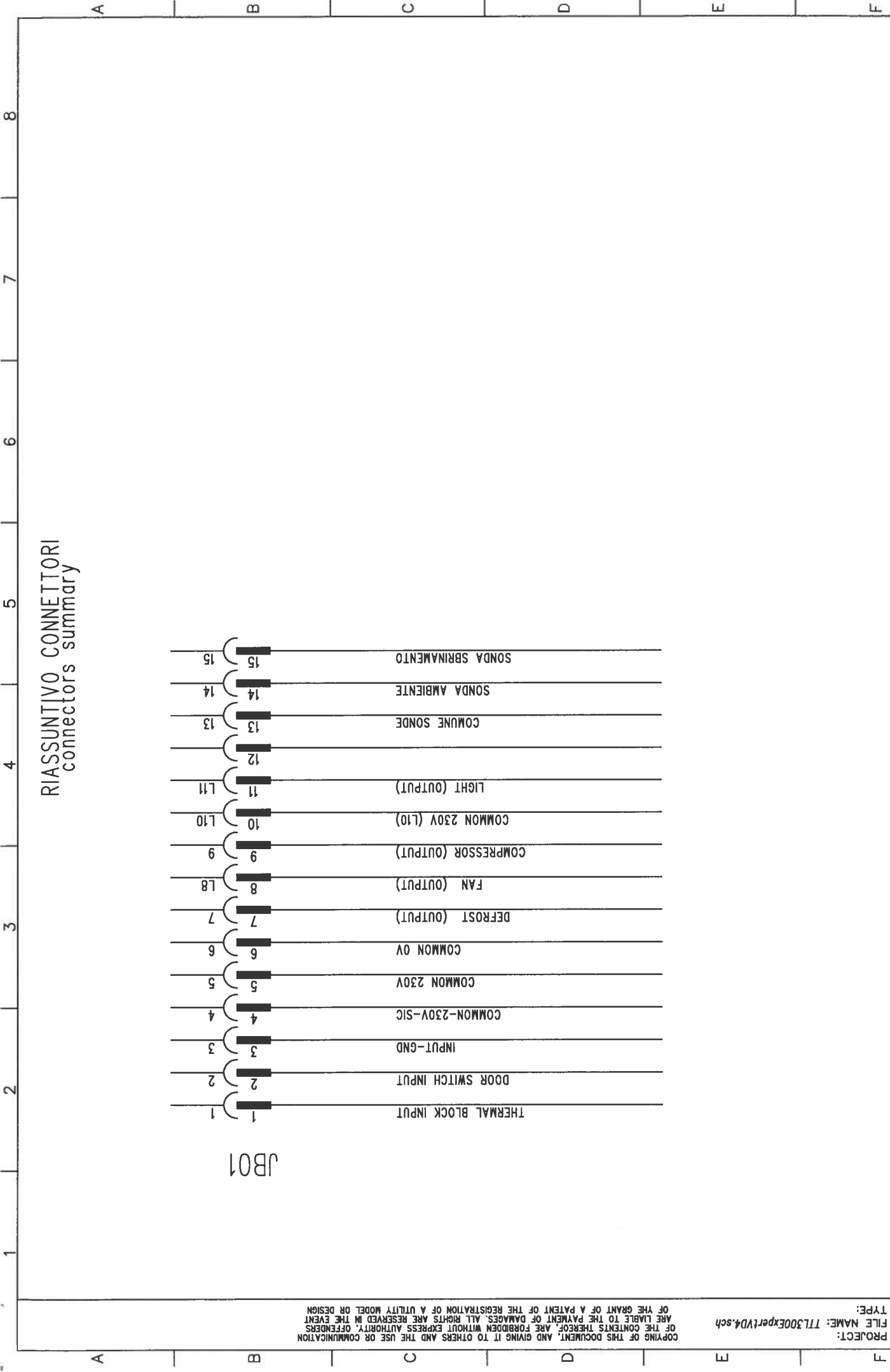
ECP300 EXPERT VD 4

TTL300 EXPERT VD
 + SHEET 5
 N.S. 6 T.F. 9

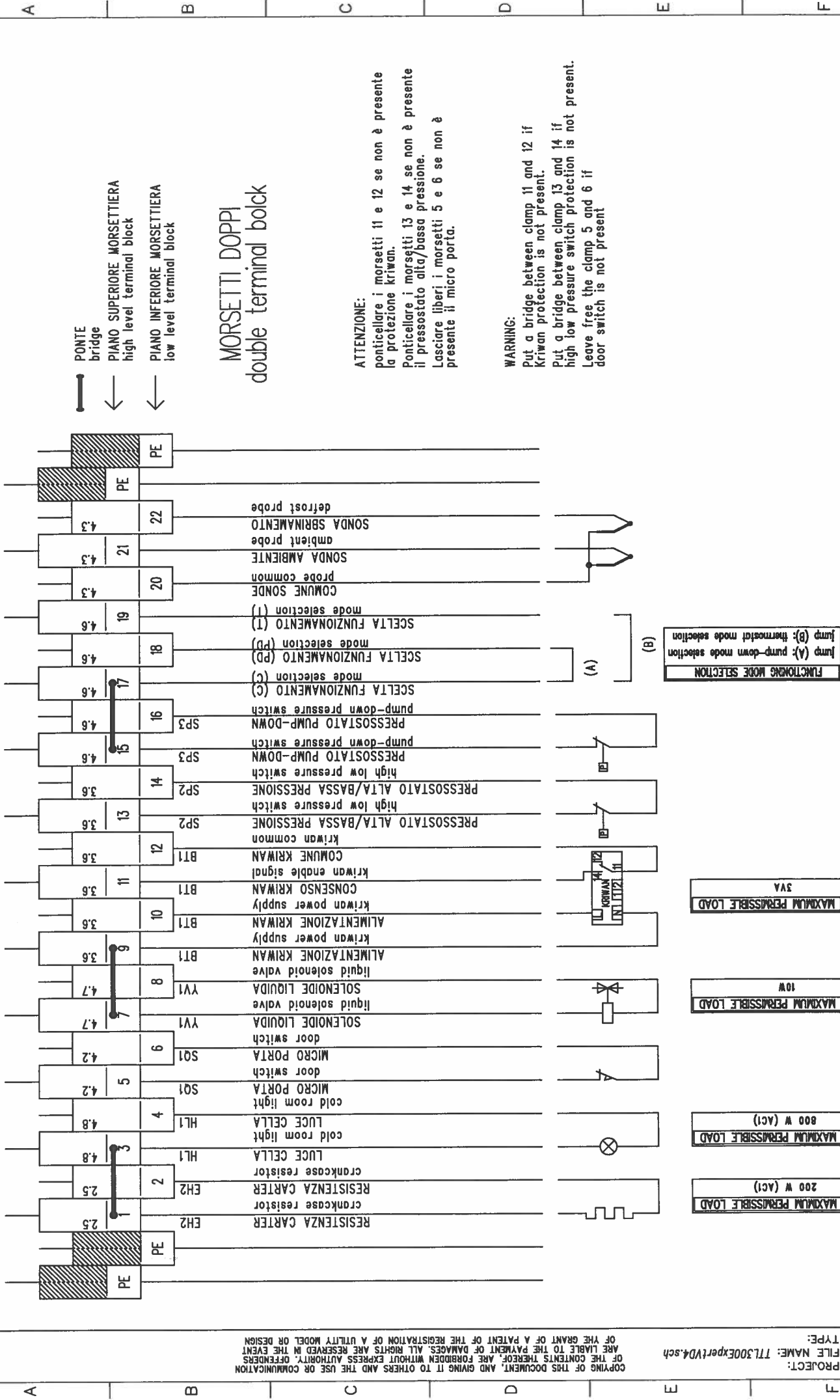
RIASSUNTIVO CONNETTORI
 connectors summary

JB01

1	1	THERMAL BLOCK INPUT
2	2	DOOR SWITCH INPUT
3	3	INPUT-GND
4	4	COMMON-230V-SIC
5	5	COMMON 230V
6	6	COMMON 0V
7	7	DEFROST (OUTPUT)
8	8	FAN (OUTPUT)
9	9	COMPRESSOR (OUTPUT)
10	10	COMMON 230V (L10)
L11	11	LIGHT (OUTPUT)
12	12	
13	13	COMUNE SONDE
14	14	SONDA AMBIENTE
15	15	SONDA SBRINAMENTO



Terminal block X1

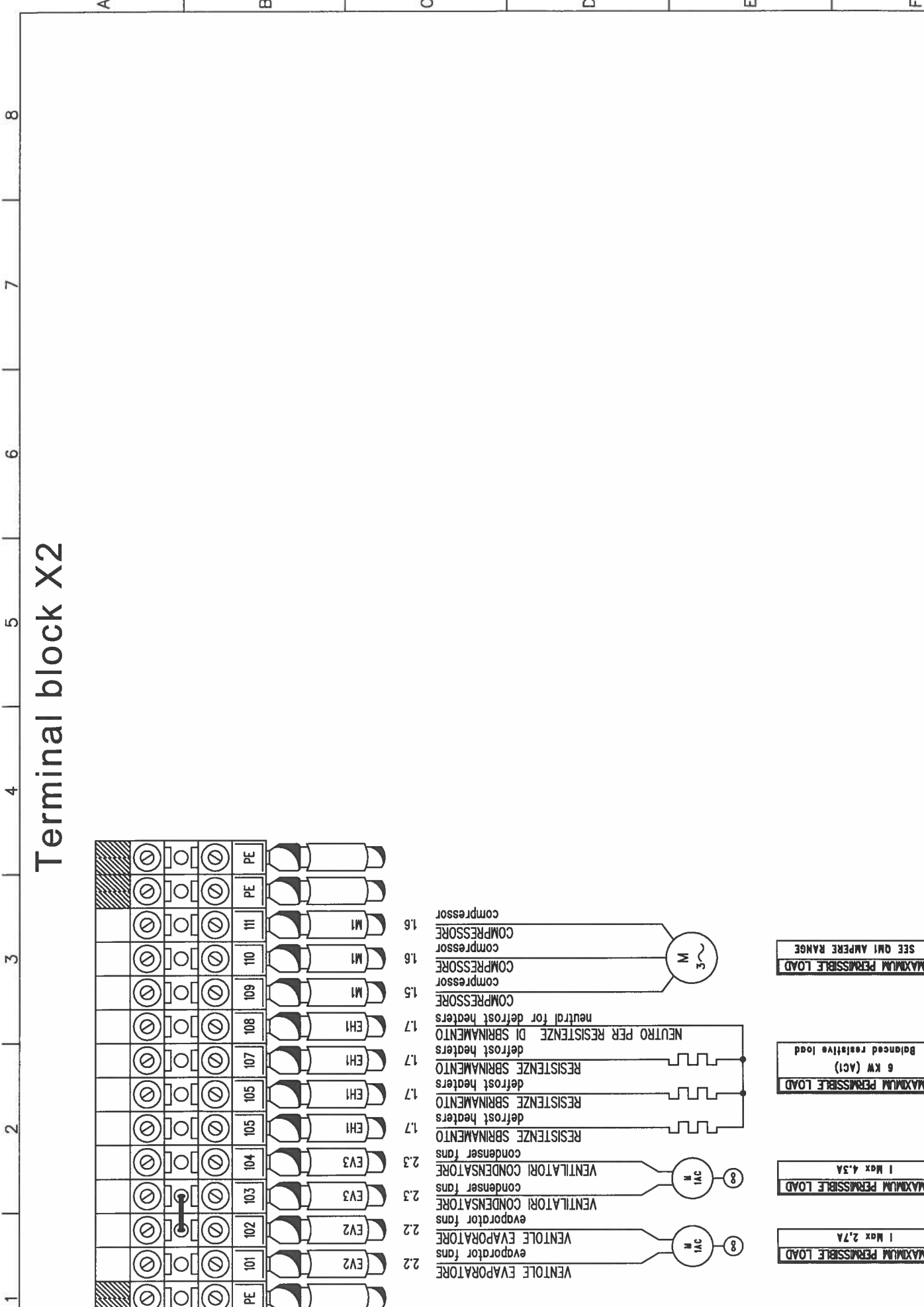


PONTE
 bridge
 PIANO SUPERIORE MORSETTIERA
 high level terminal block
 PIANO INFERIORE MORSETTIERA
 low level terminal block

MORSETTI DOPPI
 double terminal block

ATTENZIONE:
 ponticellare i morsetti 11 e 12 se non è presente la protezione kriwan.
 Ponticellare i morsetti 13 e 14 se non è presente il pressostato alta/bassa pressione.
 Lasciare liberi i morsetti 5 e 6 se non è presente il micro porta.

COPYING OF THIS DOCUMENT, AND GIVING IT TO OTHERS AND THE USE OR COMMUNICATION OF THE GRANT OF A PATENT OF THE REGISTRATION OF A UTILITY MODEL OR DESIGN ARE LIABLE TO THE PAYMENT OF DAMAGES WITHOUT EXPRESS AUTHORITY. OFFENDERS OF THE CONTENTS THEREOF, ARE FORBIDDEN WITHOUT EXPRESS AUTHORITY.



PROJECT: FILE NAME: TTL300ExpertVD4.sch
 TYPE: COPYING OF THIS DOCUMENT, AND GIVING IT TO OTHERS AND THE USE OR COMMUNICATION OF THE CONTENTS THEREOF, ARE FORBIDDEN WITHOUT EXPRESS AUTHORITY. OFFENDERS ARE LIABLE TO THE PAYMENT OF DAMAGES. ALL RIGHTS ARE RESERVED IN THE EVENT OF THE GRANT OF A PATENT OF THE REGISTRATION OF A UTILITY MODEL OR DESIGN.

DATE	07/04/2010	RIEPILOGO MORSETTI	ECP300 EXPERT VD 4
COMMISS.	Bonvicini	TERMINAL BOARD SUMMARY	
CHECKED BY			
APPROV.			
SUBST. FOR:		SUB. FOR:	
TOTALINE		TOTALINE	
- TTL300 EXPERT VD4		- TTL300 EXPERT VD4	
+ SHEET 7		+ SHEET 7	
INS. 8		INS. 8	
T.F. 9		T.F. 9	

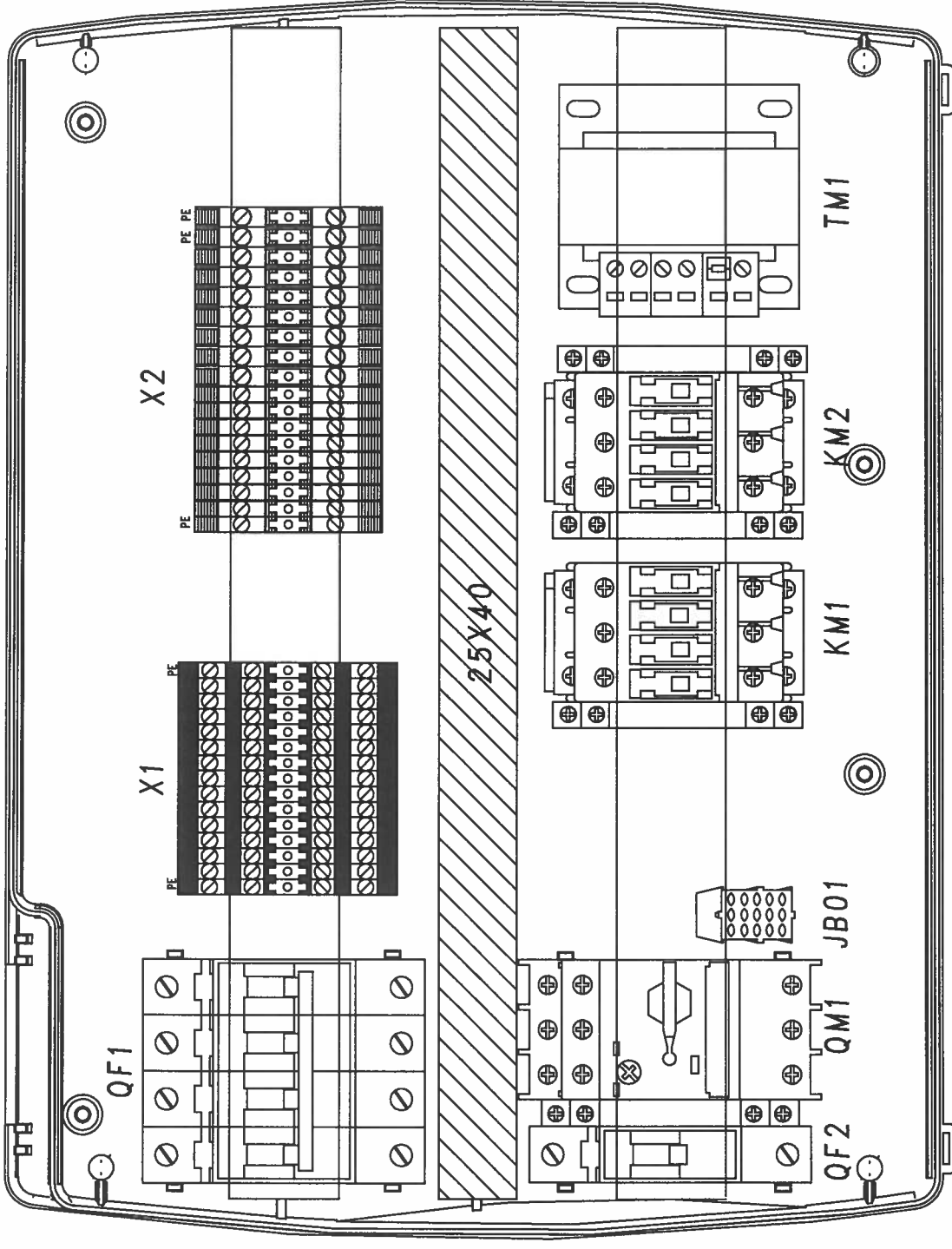
PROJECT: T1L300expertVD4.sch
 FILE NAME: T1L300expertVD4.sch
 TYPE: LAY OUT
 DATE: 07/04/2010
 COMMISS: Bonvicini
 CHECKED BY: APPROV.
 SUBST.: SUBST. FOR: APPROV.

PROJECT: T1L300 EXPERT VD 4
 SHEET 8
 N.S. T.F. 9

ECP300 EXPERT VD 4



SIEMENS COMPONENT



A B C D E F

1 2 3 4 5 6 7 8

A B C D E F

1 2 3 4 5 6 7 8