



Commessa

TTL300 EXPERT U VD 6

COPYING OF THIS DOCUMENT, AND GIVING IT TO OTHERS AND THE USE OR COMMUNICATION OF THE CONTENTS THEREOF, ARE FORBIDDEN WITHOUT EXPRESS AUTHORITY. OFFENDERS ARE LIABLE TO THE PAYMENT OF DAMAGES. ALL RIGHTS ARE RESERVED IN THE EVENT OF THE GRANT OF A PATENT OF THE REGISTRATION OF A UTILITY MODEL OR DESIGN.

DESIGN TYPE		DEFAULT VOLTAGE	400 Vac	STANDARD	CEI 44-6	ENCLOSURE
SERIE		CONTROLS VOLTAGE	230 Vac	+ =		
ORDER CODE		SIGNALS VOLTAGE	230 Vac	TTL300 EXPERT U VD 6		
CUSTOMER		TOTALINE				
DESIGNED WITH CAD/CAE SYSTEM		Sabik 9				
		DATE	SIGNAT.	SCHEMA FUNZIONALE		
		COMM.	12/04/2010	TABELLE DI RIEPILOGO		
		CHECK.	12/04/2010	MORSETTIERE		
		APPROV.	12/04/2010			
					TOTALINE	
					standard panel	
REV.	REVISION DESCRIPTION	DATE	COMMISS.	SUB. FOR:	SUBST.:	ORIGIN:
						T.S. 8

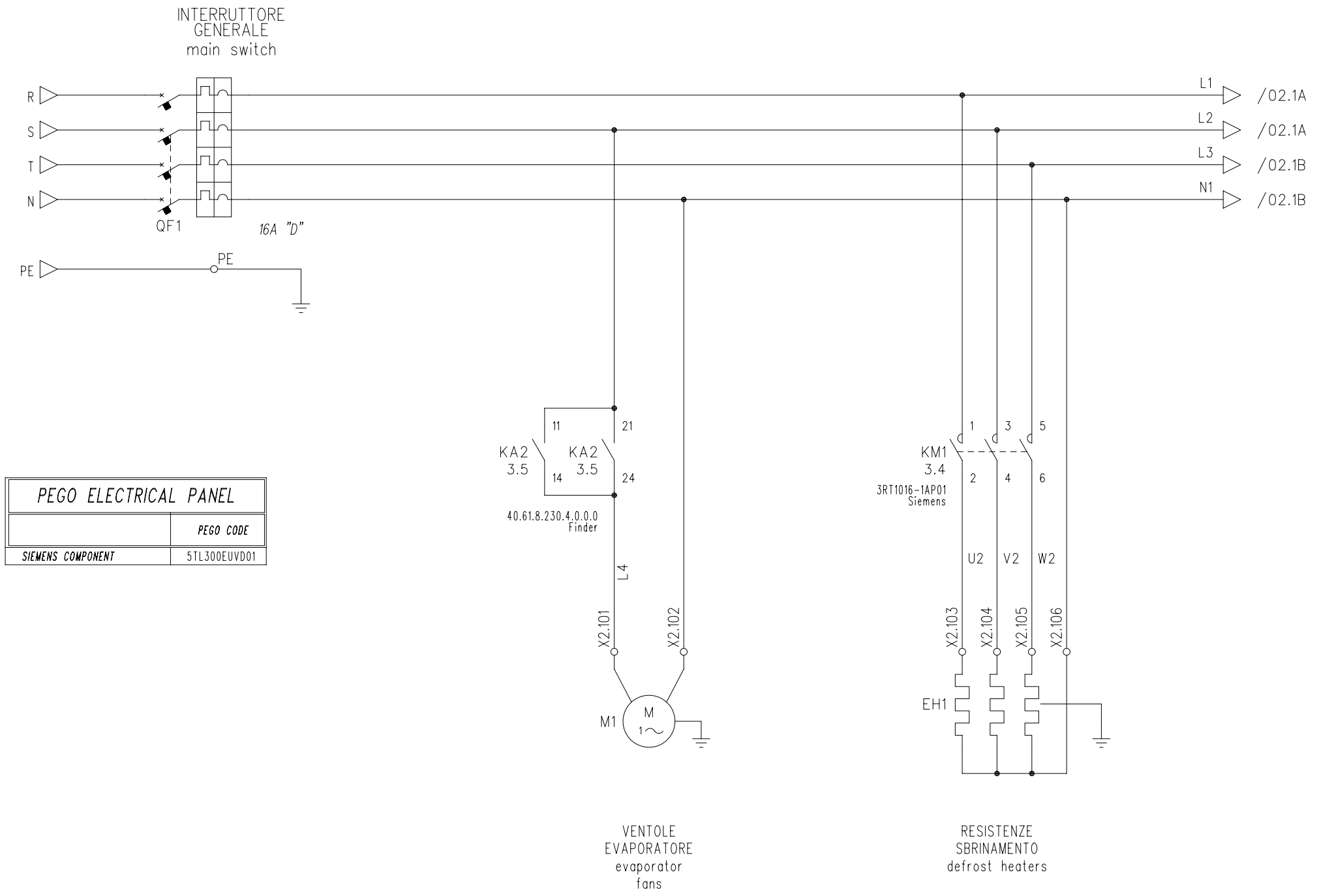
PROJECT: TTL300ExpertUVD6.sch
 FILE NAME: TTL300ExpertUVD6.sch
 TYPE:

DATE	12/04/2010
COMMISS.	Bonvicini
CHECKED BY	
APPROV.	

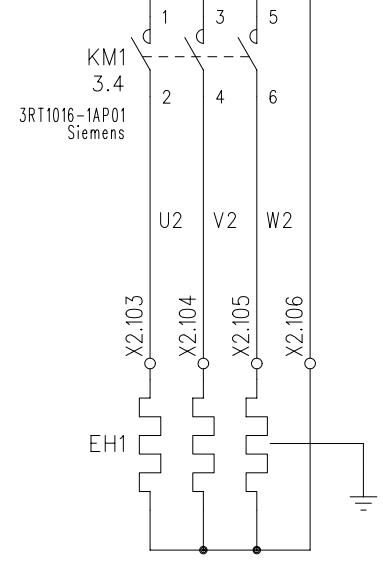
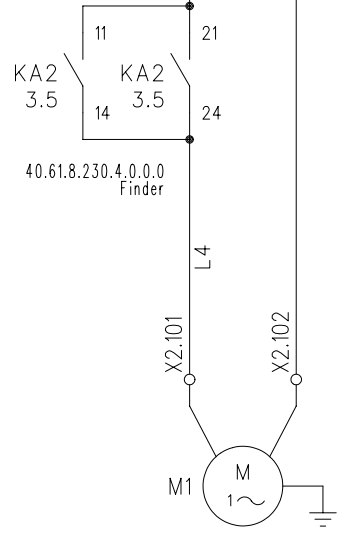


TTL300 EXPERT U VD 6

= TTL300 EXPERT U VD 6	
+	
SHEET 1	
N.S. 2	T.F. 8



PEGO ELECTRICAL PANEL	
	PEGO CODE
SIEMENS COMPONENT	5TL300EUVD01



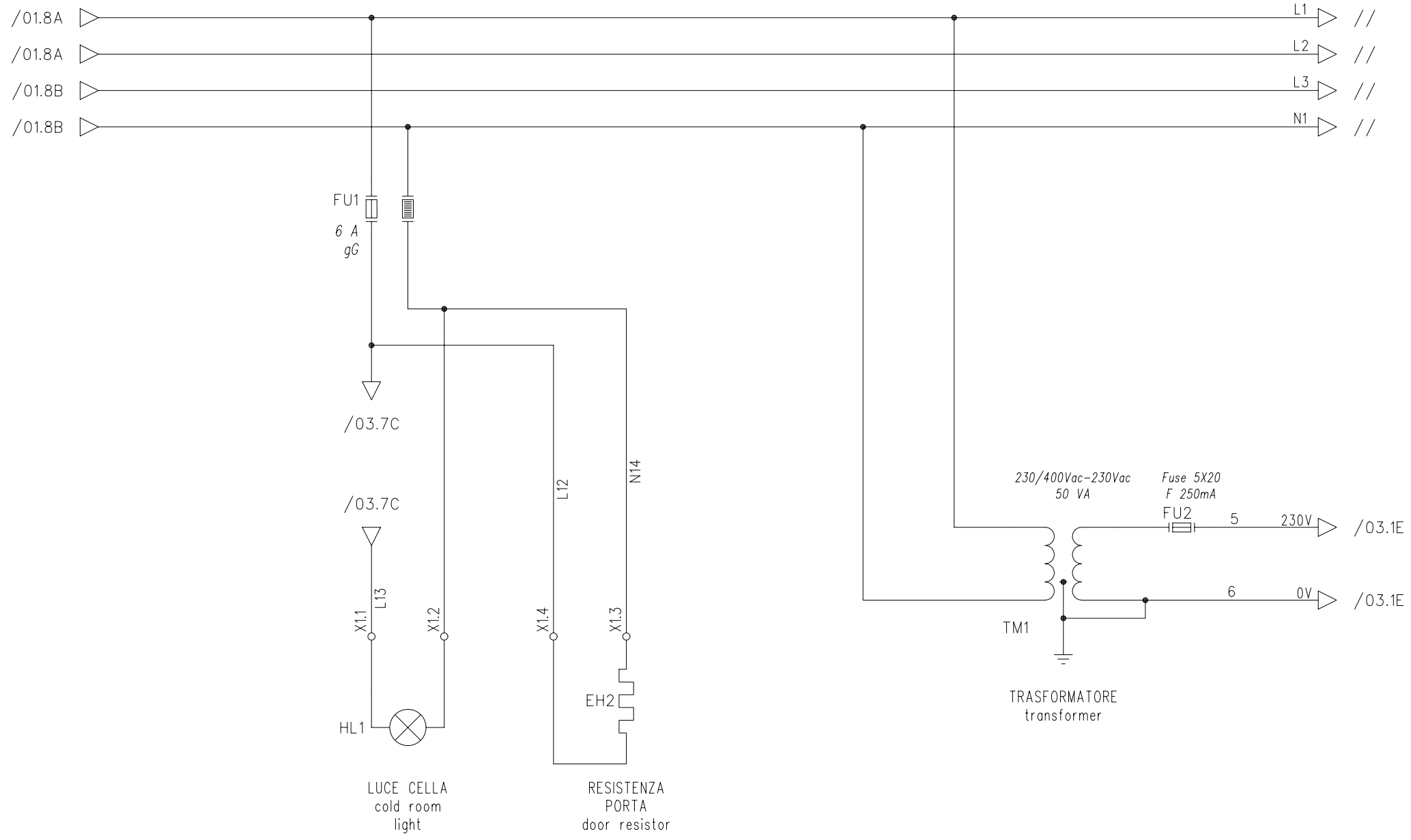
PROJECT: TTL300ExpertUVD6.sch
 FILE NAME: TTL300ExpertUVD6.sch
 TYPE:

DATE: 12/04/2010
 COMMISS.: Bonvicini
 CHECKED BY:
 APPROV.:



TTL300 EXPERT U VD 6

= TTL300 EXPERT U VD 6
 +
 SHEET 2
 N.S. 3 T.F. 8



COPYING OF THIS DOCUMENT, AND GIVING IT TO OTHERS AND THE USE OR COMMUNICATION OF THE CONTENTS THEREOF, ARE FORBIDDEN WITHOUT EXPRESS AUTHORITY. OFFENDERS ARE LIABLE TO THE PAYMENT OF DAMAGES. ALL RIGHTS ARE RESERVED IN THE EVENT OF THE GRANT OF A PATENT OF THE REGISTRATION OF A UTILITY MODEL OR DESIGN.

COPYING OF THIS DOCUMENT, AND GIVING IT TO OTHERS AND THE USE OR COMMUNICATION OF THE CONTENTS THEREOF, ARE FORBIDDEN WITHOUT EXPRESS AUTHORITY. OFFENDERS ARE LIABLE TO THE PAYMENT OF DAMAGES. ALL RIGHTS ARE RESERVED IN THE EVENT OF THE GRANT OF A PATENT OF THE REGISTRATION OF A UTILITY MODEL OR DESIGN.

PROJECT: TTL300ExpertUVD6.sch
 FILE NAME: TTL300ExpertUVD6.sch
 TYPE:

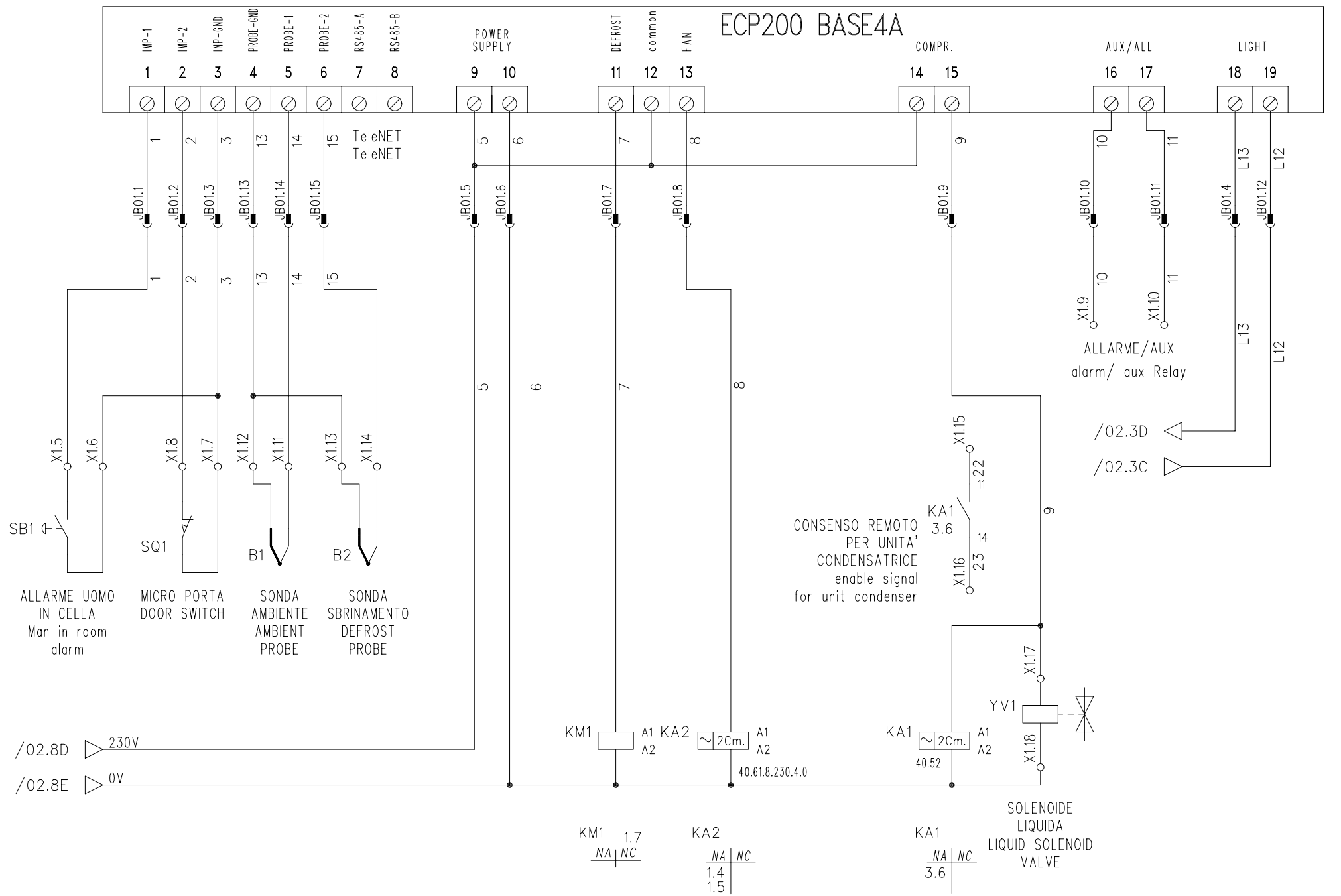
DATE: 16/04/2007
 COMMISS.: Bonvicini
 CHECKED BY: -
 APPROV.:

SUBST.: SUB. FOR:



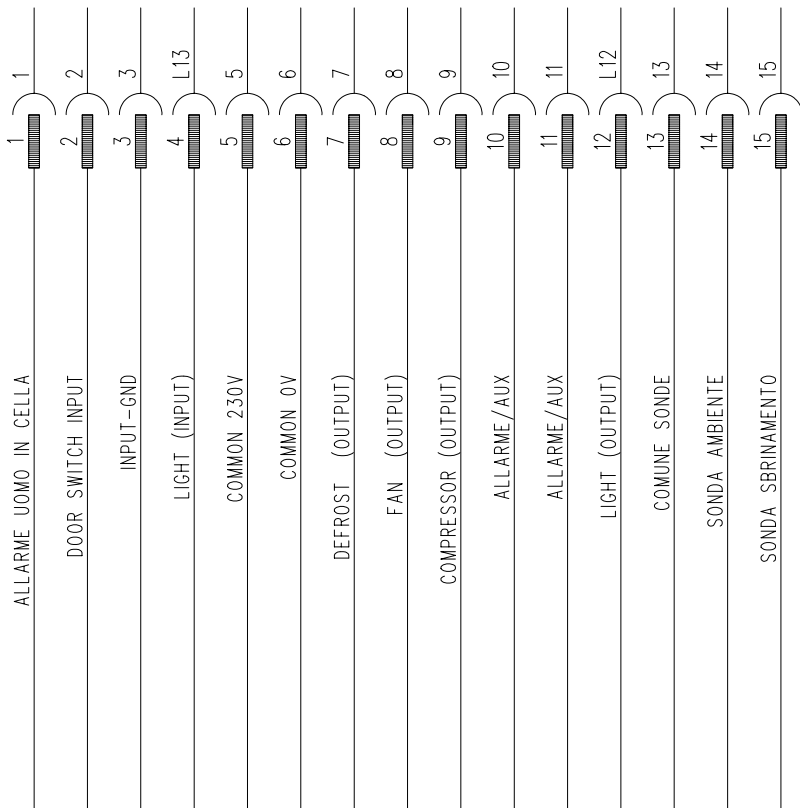
TTL300 EXPERT U VD 6

= TTL300 EXPERT U VD 6
 +
 SHEET 3
 N.S. 4 T.F. 8



RIEPILOGO CONNETTORI
connectors summary

JB01



COPYING OF THIS DOCUMENT, AND GIVING IT TO OTHERS AND THE USE OR COMMUNICATION OF THE CONTENTS THEREOF, ARE FORBIDDEN WITHOUT EXPRESS AUTHORITY. OFFENDERS ARE LIABLE TO THE PAYMENT OF DAMAGES. ALL RIGHTS ARE RESERVED IN THE EVENT OF THE GRANT OF A PATENT OF THE REGISTRATION OF A UTILITY MODEL OR DESIGN.

PROJECT: TTL300ExpertUVD6.sch
FILE NAME: TTL300ExpertUVD6.sch
TYPE:

DATE	12/04/2007
COMMISS.	Luca
CHECKED BY	
APPROV.	



TTL300 EXPERT U VD 6

=	TTL300 EXPERT U VD 6
+	
	SHEET 4
N.S. 5	T.F. 8

PROJECT: TTL300ExpertUVD6.sch
 FILE NAME: TTL300ExpertUVD6.sch
 TYPE:

DATE: 12/04/2007
 COMMISS.: Luca
 CHECKED BY:
 APPROV.:

RIEPILOGO MORSETTI
 TERMINAL BOARD SUMMARY




TTL300 EXPERT U VD 6

= TTL300 EXPERT U VD 6
 +
 SHEET 5
 N.S. 6 T.F. 8

X1

PE			
1	HL1	LUCE CELLA	2.3
2	HL1	cold room light LUCE CELLA	2.3
3	EH2	cold room light RESISTENZA PORTA	2.4
4	EH2	door resistor RESISTENZA PORTA	2.4
5	SB1	door resistor ALLARME UOMO IN CELLA	3.1
6	SB1	Man in room alarm ALLARME UOMO IN CELLA	3.1
7	S01	Man in room alarm MICRO PORTA	3.2
8	S01	door switch MICRO PORTA	3.2
9		door switch ALLARME/AUX	3.7
10		alarm/ aux relay ALLARME/AUX	3.7
11	B1	alarm/ aux relay SONDA AMBIENTE	3.2
12	B1	ambient probe SONDA AMBIENTE	3.2
13	B2	ambient probe SONDA SBRINAMENTO	3.3
14	B2	defrost probe SONDA SBRINAMENTO	3.3
15	KA1	defrost probe CONSENSO REMOTO PER UNITA' CONDENSATRICE	3.6
16	KA1	enable signal for unit condenser CONSENSO REMOTO PER UNITA' CONDENSATRICE	3.6
17	YV1	enable signal for unit condenser SOLENOIDE LIQUIDA	3.7
18	YV1	liquid solenoid valve SOLENOIDE LIQUIDA	3.7

 PONTE
 bridge

COPYING OF THIS DOCUMENT, AND GIVING IT TO OTHERS AND THE USE OR COMMUNICATION OF THE CONTENTS THEREOF, ARE FORBIDDEN WITHOUT EXPRESS AUTHORITY. OFFENDERS ARE LIABLE TO THE PAYMENT OF DAMAGES. ALL RIGHTS ARE RESERVED IN THE EVENT OF THE GRANT OF A PATENT OF THE REGISTRATION OF A UTILITY MODEL OR DESIGN.

PROJECT: TTL300ExpertUVD6.sch
 FILE NAME: TTL300ExpertUVD6.sch
 TYPE:

DATE 12/04/2007
 COMMISS. Luca
 CHECKED BY
 APPROV.

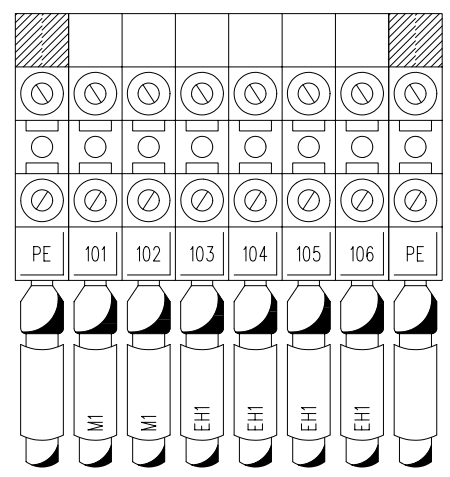
RIEPILOGO MORSETTI
 TERMINAL BOARD SUMMARY



TTL300 EXPERT U VD 6

= TTL300 EXPERT U VD 6
 +
 SHEET 6
 N.S. 7 T.F. 8

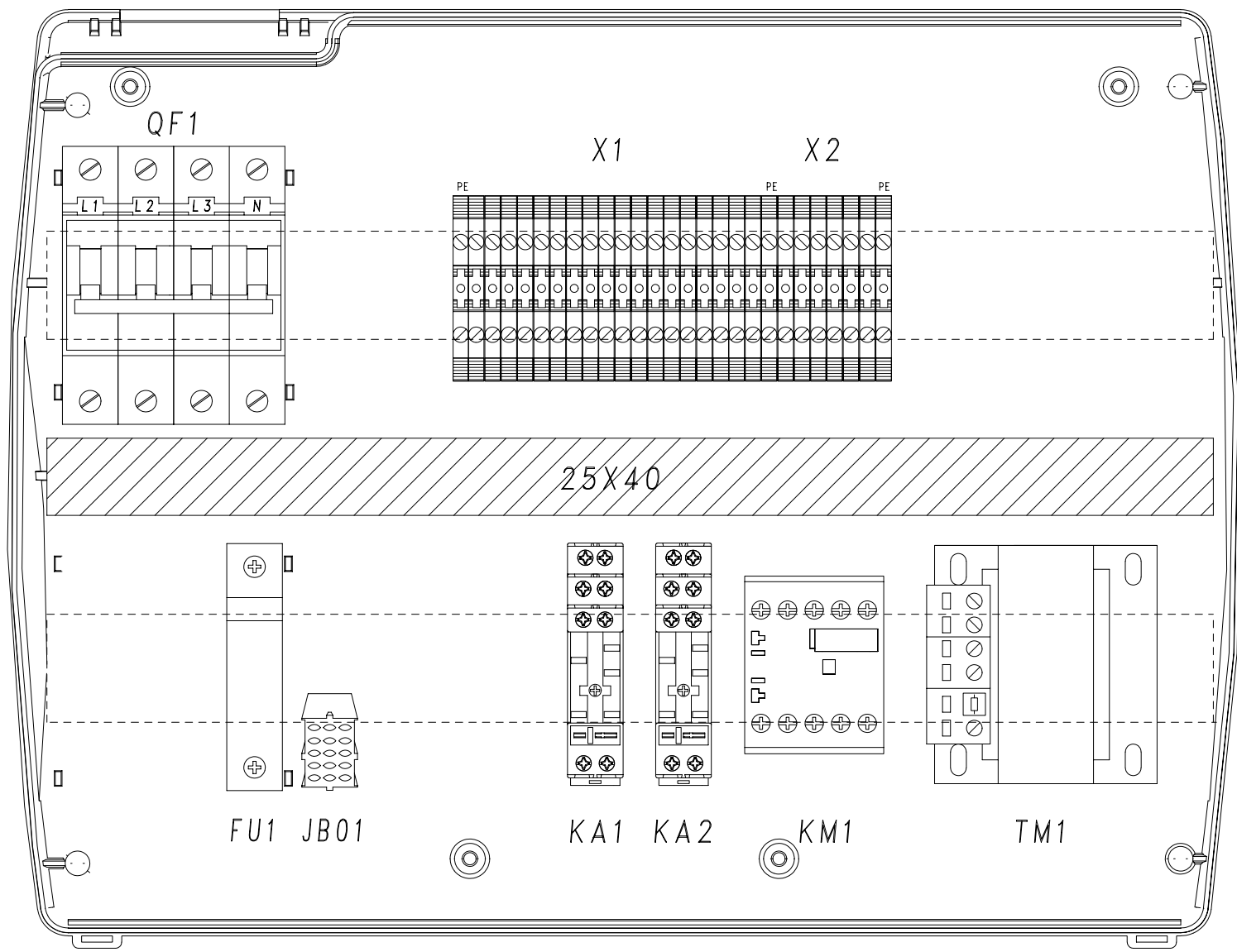
X2



1.5 VENTOLE EVAPORATORE
 evaporator fans
 1.5 VENTOLE EVAPORATORE
 evaporator fans
 1.7 RESISTENZE SBRINAMENTO
 defrost heaters
 1.7 RESISTENZE SBRINAMENTO
 defrost heaters
 1.7 RESISTENZE SBRINAMENTO
 defrost heaters
 1.7 NEUTRO PER RESISTENZE DI SBRINAMENTO
 neutral connection for defrost heaters

COPYING OF THIS DOCUMENT, AND GIVING IT TO OTHERS AND THE USE OR COMMUNICATION OF THE CONTENTS THEREOF, ARE FORBIDDEN WITHOUT EXPRESS AUTHORITY. OFFENDERS ARE LIABLE TO THE PAYMENT OF DAMAGES. ALL RIGHTS ARE RESERVED IN THE EVENT OF THE GRANT OF A PATENT OF THE REGISTRATION OF A UTILITY MODEL OR DESIGN.

PROJECT: TTL300ExpertUVD6.sch
 FILE NAME: TTL300ExpertUVD6.sch
 TYPE:



SIEMENS COMPONENT

DATE	12/04/2007
COMMISS.	Luca
CHECKED BY	
APPROV.	

LAY OUT



TTL300 EXPERT U VD 6

=	TTL300 EXPERT U VD 6
+	
	SHEET 7
N.S.	T.F. 8